

4000019634

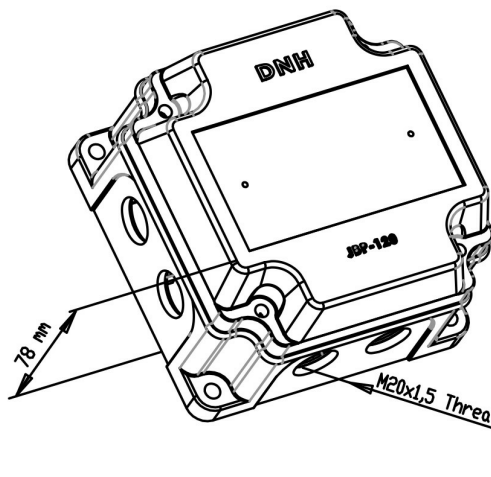
Junction Box for P-8301 Microphone



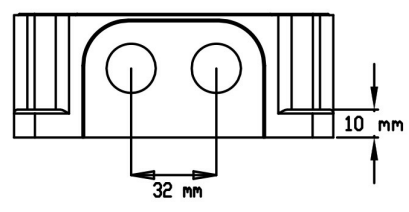
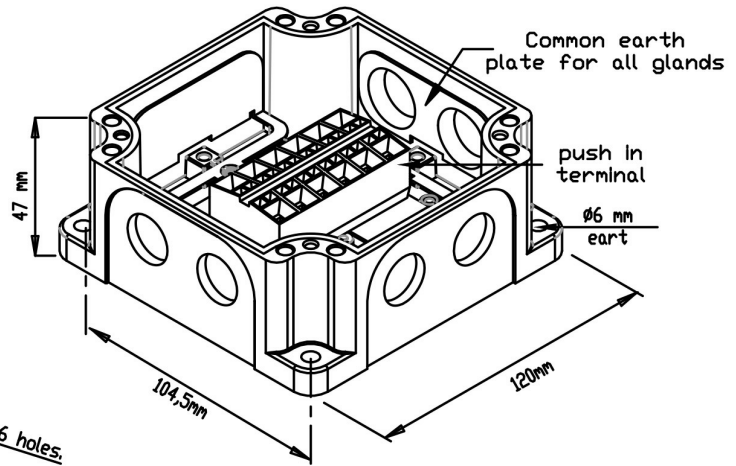
Description

Junction box with 6 possible entries, earth plate and 12 - 2.5 mm² Wago terminals. Delivered with 4 blindplugs and 3 cable glands M-20 unmounted.

Technical Dimensions



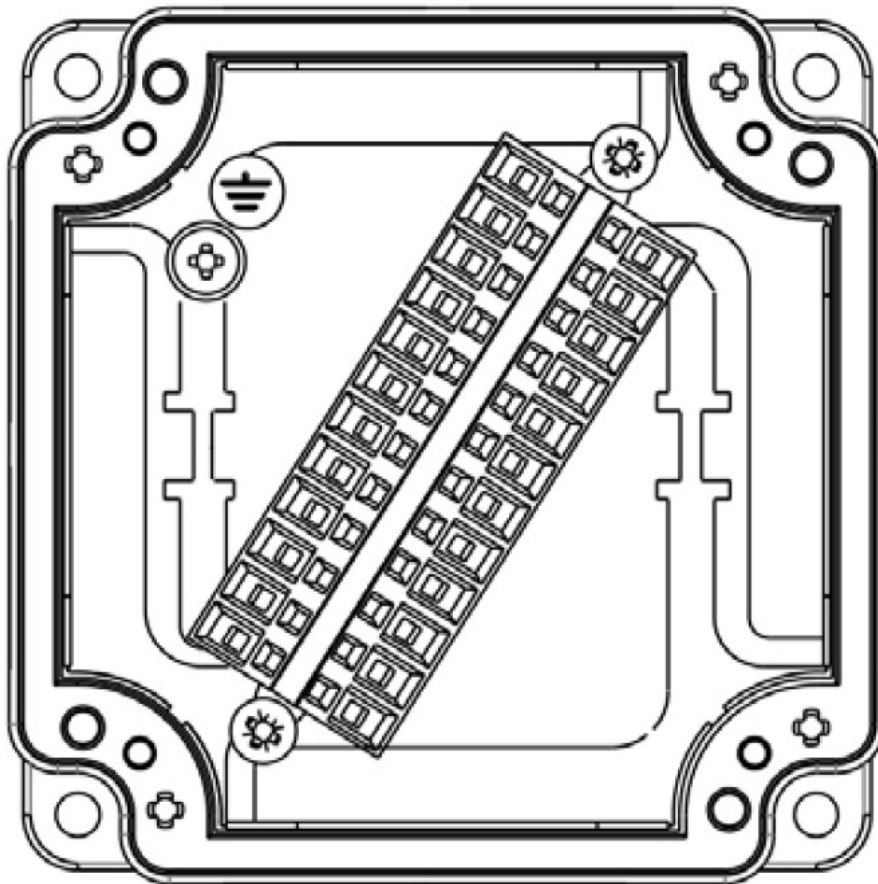
3 x M20 cable glands and
4 x M20 blind plugs



Specifications	
Material / Color	ASA / RAL 7035
Mounting	4 screws
Termination	Wago 264 terminal / earth plate / 2,5 mm ² / 600V
Weight	0,35 kg
IP-rating	67
Max. / min. amb. temp	90°C / -50°C

Specifications

Material	ASA halogen free
Color	RAL 7035
Weight	0.35 kg
Termination	12 pcs - Wago 264 terminal /earth plate / 2.5 mm ² / 600V
IP Rating	IP-67
Max./min. Ambient Temperature	90 °C / -50 °C
SPL 1W/1m	0 dB
SPL Rated Power	0 dB
Cable Entry	Sides/Bottom
Glands	3 pcs M20 / 4 Blind Plugs



Designation	Colour	Function
WH	White	Port +
BN	Brown	Port -
GN	Green	Aft +
YE	Yellow	Aft -
GY	Grey	Strb +
PK	Pink	Strb -
BU	Blue	Fore +
RD	Red	Fore -
BK	Black	GND
VT	Violet	Vinn

Used With



P-8301 MkII Microphone Unit

Microphone/Antenna Unit