

4000017570

## P-9001

Indoor Substation



- ✓ Privacy functionality
- ✓ 2-way loudspeaker
- ✓ CALL and TALK button
- ✓ Complies with IEC 60945 Standard for Marine Equipment



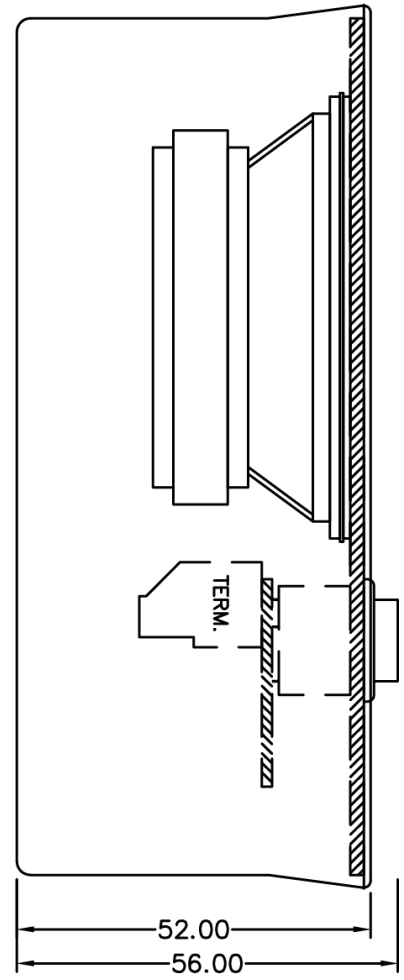
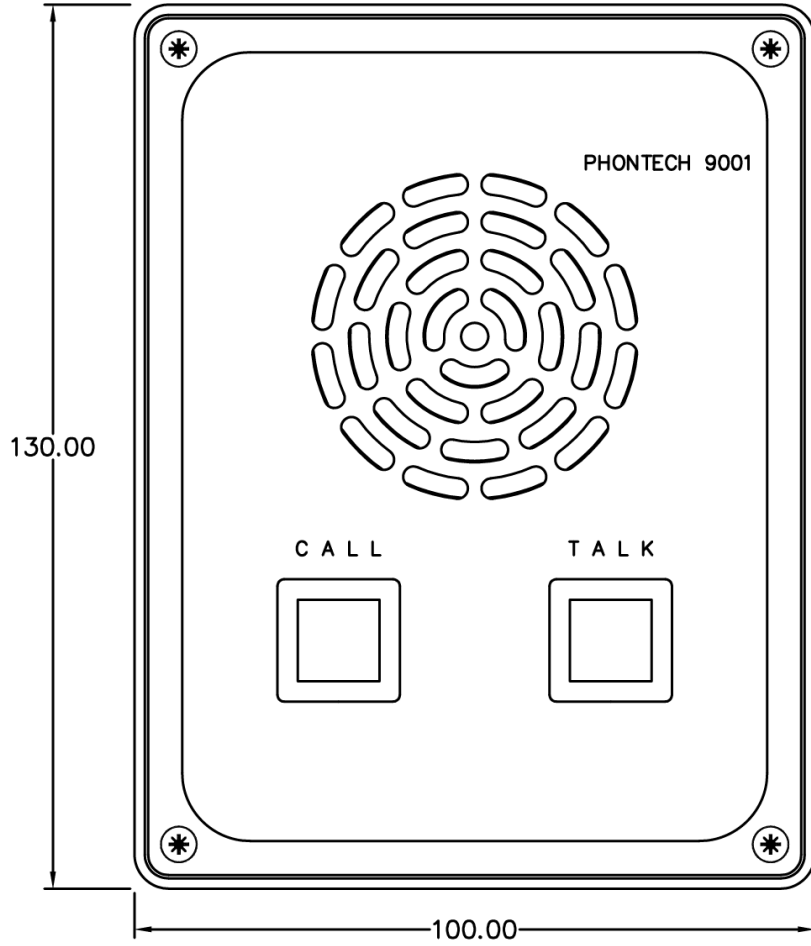
Onboard communication

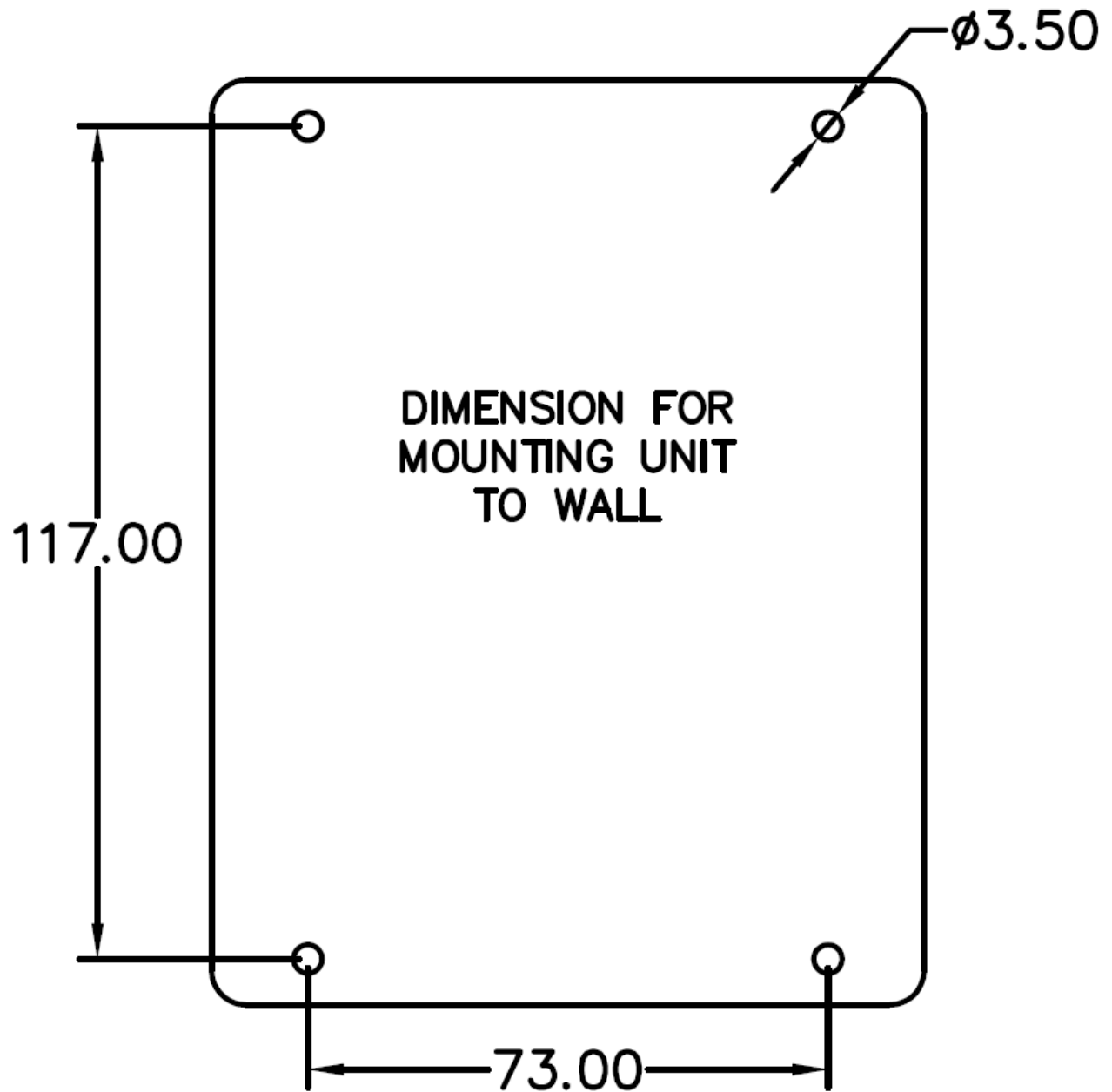
## Description

The P-9001 is a Command Intercom System (talk-back) substation for indoor environments such as cabins and mess rooms. It is 2-way loudspeaking and equipped with both a CALL and TALK button.

The unit provides privacy functionality to prevent unintended listening in.

## Technical Dimensions





210 x 207 mm <

# Specifications

## MECHANICAL

Dimensions (WxHxD)	100 x 130 x 56 mm
--------------------	-------------------

Weight	0.3 kg
--------	--------

Color	RAL 9005/9006
-------	---------------

Material	PC / ABS blend, ABS
----------	---------------------

Mounting	Wall
----------	------

Fixing	4 x M3 bolts
--------	--------------

Access	Front
--------	-------

## ELECTRICAL

Power Supply	From central/line supply
--------------	--------------------------

SPL (1m)	>80 dB(A)
----------	-----------

Termination	Screw terminals $\leq 2.5$ mm <sup>2</sup>
-------------	---

Compass Safe Distance	> 5 m
-----------------------	-------

## ENVIRONMENTAL

Temperature	-15°C to +55°C
-------------	----------------

Humidity	+93% (at +40°C)
----------	-----------------

Ingress Protection Rating	IP-31
---------------------------	-------

