

4000017572

P-9003

Substation for Headset

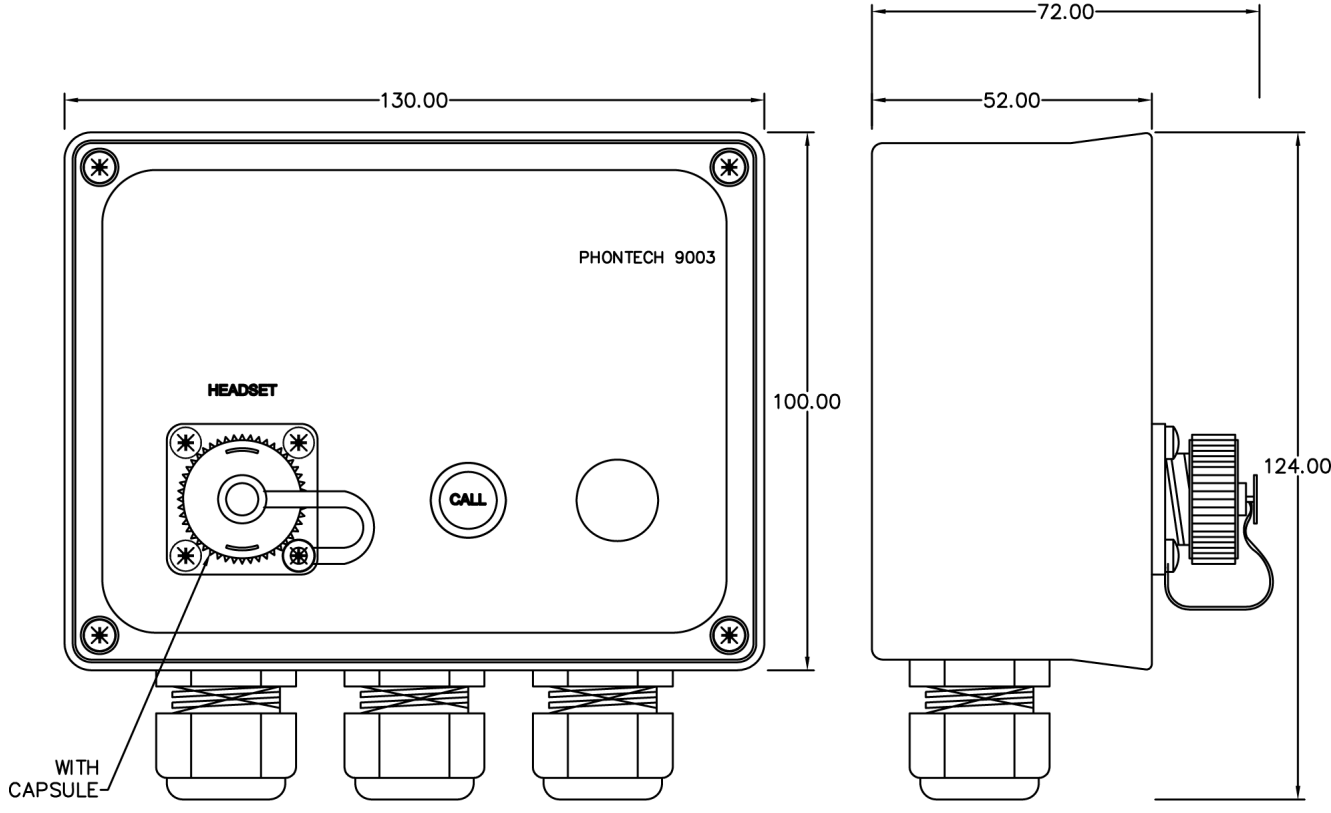


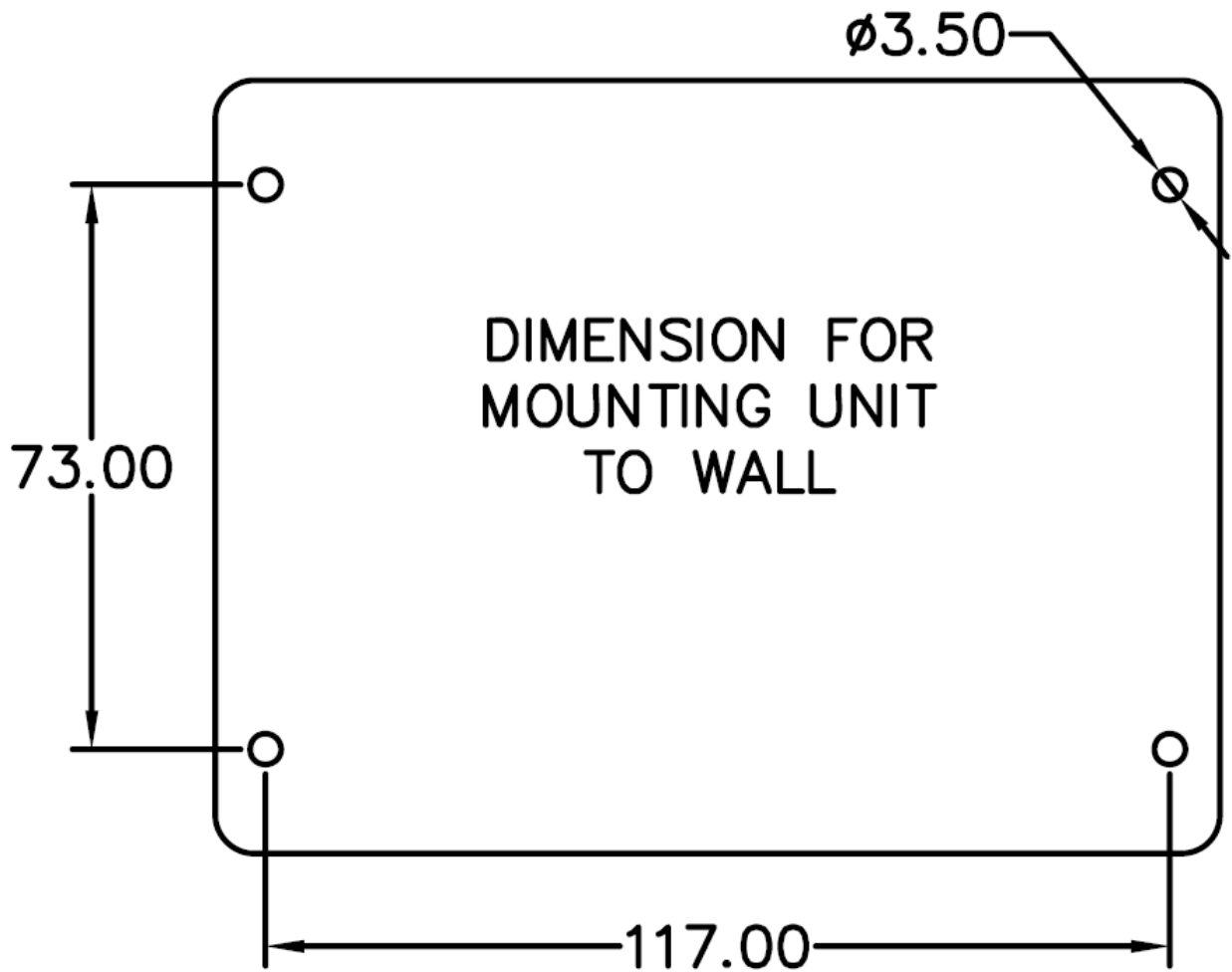
- ✓ Built-in call relay, max 8A
- ✓ Call lamp
- ✓ Plug for connection of headset or handheld microphone
- ✓ CALL button
- ✓ Complies with IEC 60945 Standard for Marine Equipment
- ✓ RMRS type approval

Description

The P-9003 is a weatherproof Command Intercom System (Talk-Back) substation for industrial and noisy environments such as engine, steering gear and thruster rooms. It interfaces an external loudspeaker, external call signal device (flash/rotating light/hooter/siren) and a pluggable hearing protective headset. The unit is equipped with a CALL button for attention request and a call lamp for visual call indication.

Technical Dimensions





Specifications

MECHANICAL

Dimensions (WxHxD)	130x124x52 mm (depth 72 mm including headset connector)
Weight	0.3 kg
Color	RAL 9005/9006
Material	PC / ABS blend, ABS
Mounting	Wall
Fixing	4 x M3 bolts
Access	Front
Cable Entry	Bottom/Top
Gland Type	3 x M20

ELECTRICAL

Power Supply	(24 VDC) From central/line supply
Switchin current	8A
Termination	Screw terminals ≤ 1.5 mm ²
Compass Safe Distance	> 5 m

ENVIRONMENTAL

Temperature	-25°C to +55°C (Storage: -25°C to +70°C)
Humidity	+93% (at +40°C)
Ingress Protection Rating	IP-44



Used With



P-0005

Hearing-Protective Headset



VML-1520

Horn Loudspeaker 15W, 20 OHM Waterproof



P-9017

Handheld microphone, noise cancelling



P-9117

Handheld Microphone



P-9217

Handheld Microphone

Zenitel and its subsidiaries assume no responsibility for any errors that may appear in this publication, or for damages arising from the information therein. Zenitel products are developed and marketed by Zenitel. The company's Quality Assurance System is certified to meet the requirements in NS-EN ISO 9001. Zenitel reserves the right to modify designs and alter specifications without notice.

ZENITEL PROPRIETARY. This document and its supplementing elements, contain Zenitel or third party information which is proprietary and confidential. Any disclosure, copying, distribution or use is prohibited, if not otherwise explicitly agreed in writing with Zenitel. Any authorized reproduction, in part or in whole, must include this legend; Zenitel – All rights reserved.