

4000017574

P-9009

Call Unit with Socket



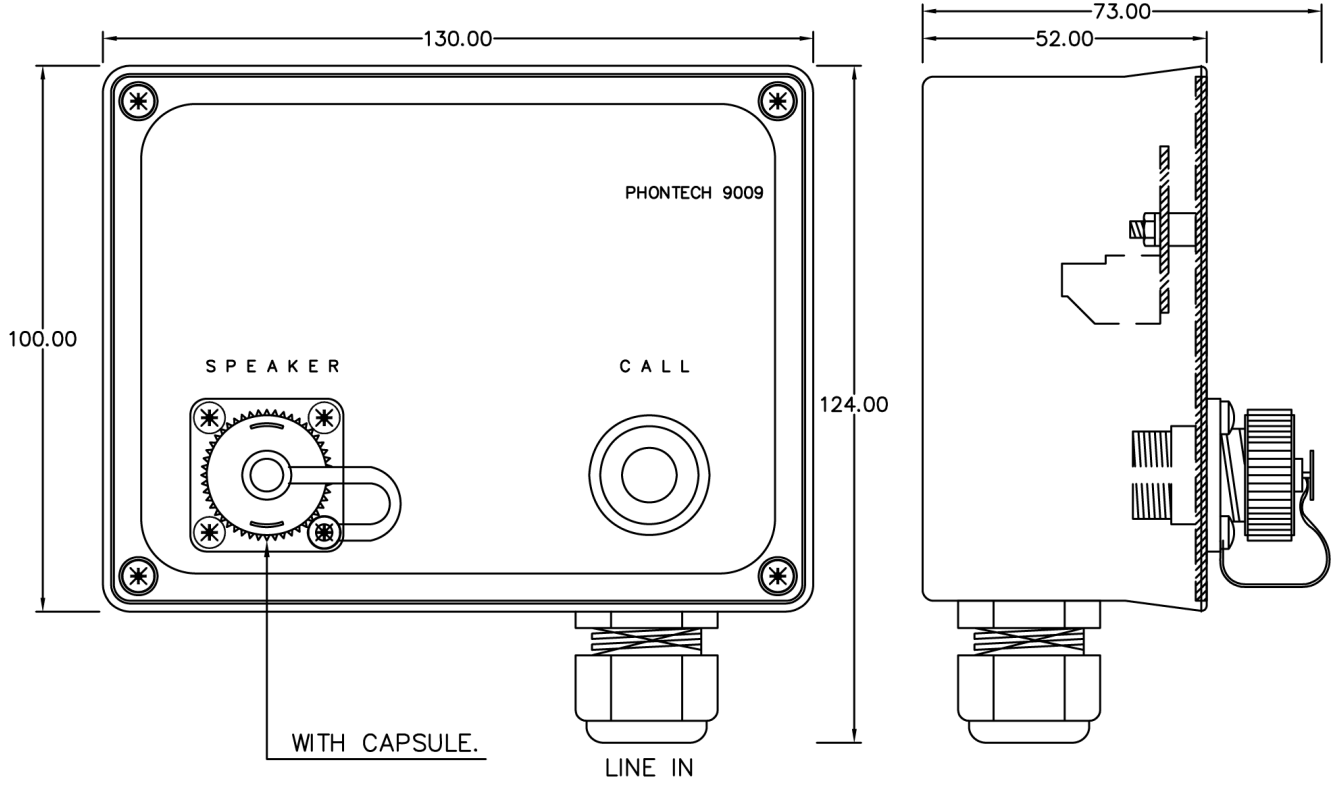
- ✓ Connector for portable talk-back unit P-0010
- ✓ CALL button
- ✓ Complies with IEC 60945 Standard for Marine Equipment
- ✓ RMRS type approval

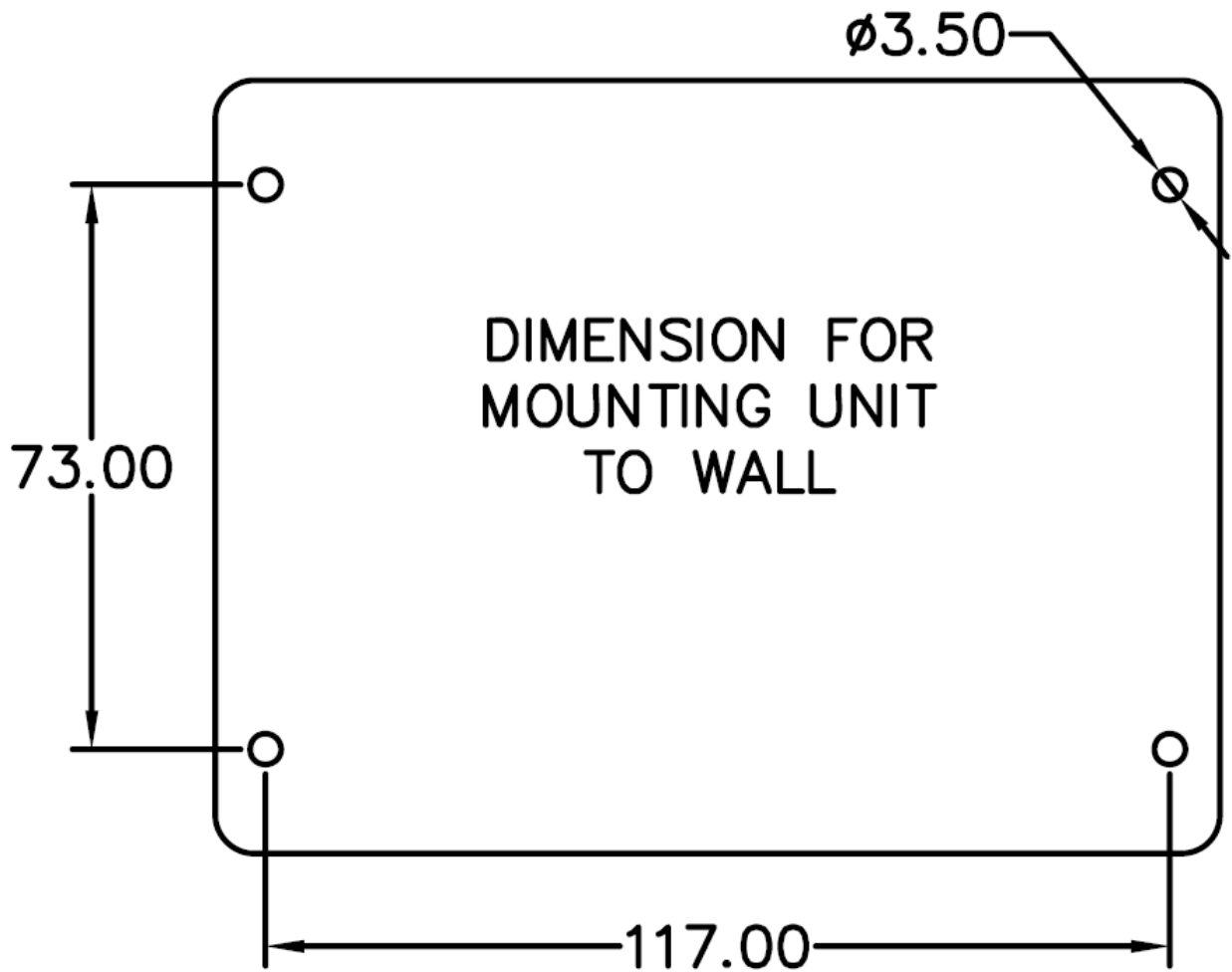
Description

The P-9009 is a weatherproof Command Intercom System (Talk-Back) substation for industrial and outdoor environments. It interfaces the pluggable, portable talk-back unit, P-0010, for 2-way communication.

The unit is equipped with a CALL button for attention request.

Technical Dimensions





Specifications

MECHANICAL

Dimensions (WxHxD)	130x124x52 mm (depth 72 mm including connector)
Weight	0.3 kg
Color	RAL 9005/9006
Material	PC / ABS blend, ABS
Mounting	Wall
Fixing	4 x M3 bolts
Access	Front
Cable Entry	Bottom/Top
Gland Type	1 x M20

ELECTRICAL

Power Supply	From central/line supply
Termination	Screw terminals ≤ 2.5 mm ²
Compass Safe Distance	> 5 m

ENVIRONMENTAL

Temperature	-25°C to +55°C (Storage: -25°C to +70°C)
Humidity	+93% (at +40°C)
Ingress Protection Rating	IP-56

IC-EDGE

Licensing Details

