

4000011252

P-0010

Portable Loudspeaker



- ✓ 10-meter cable and plug for P-9009
- ✓ 2-way loudspeaker
- ✓ PTT
- ✓ Saltwater resistant
- ✓ Curled cable and plug
- ✓ Weatherproof
- ✓ Complies with IEC 60945 Standard for Marine Equipment
- ✓ RMRS type approval

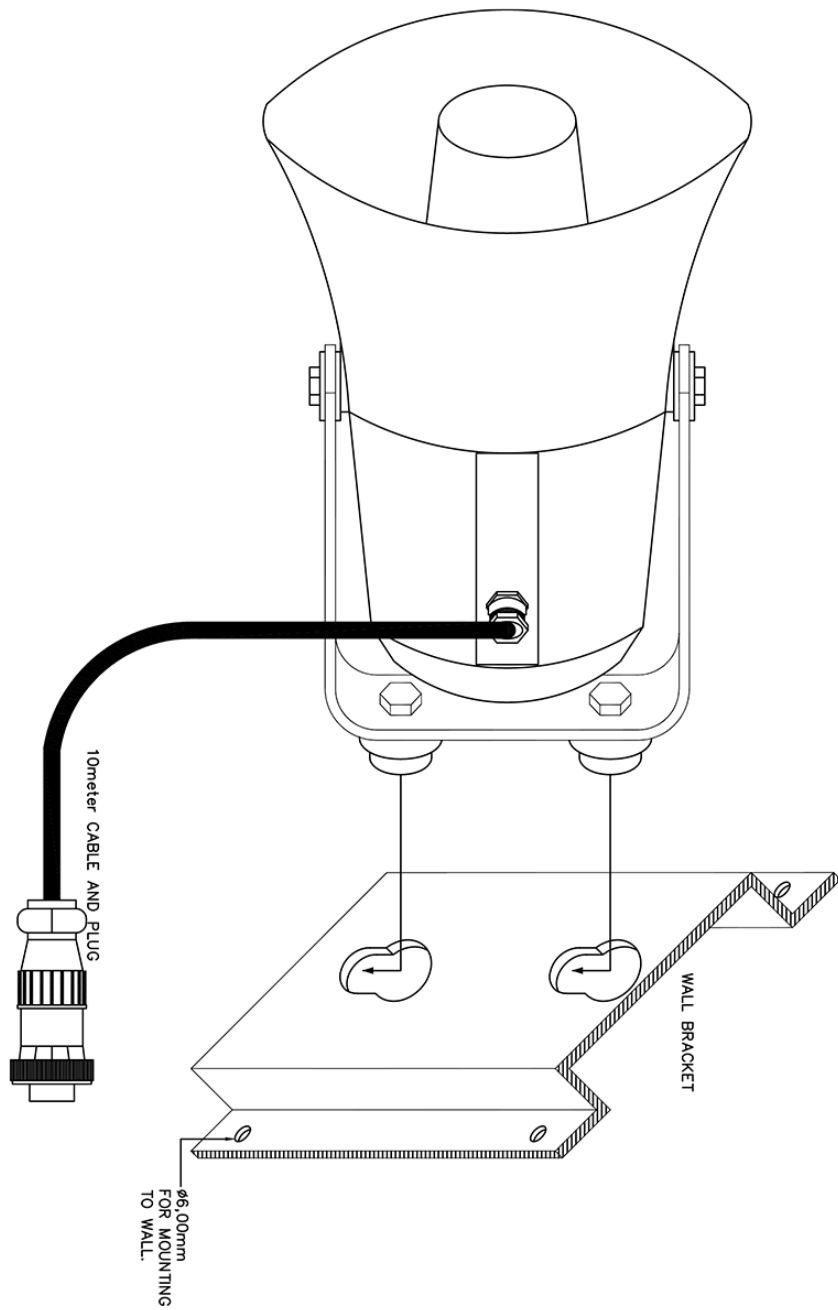


Onboard communication

Description

The P-0010 is a weatherproof portable loudspeaker delivered with a 10-meter cable and plug for interfacing substation P-9009 for two-way communication.

Technical Dimensions



Specifications

MECHANICAL

Dimensions (WxH)	139x197 mm
Weight	1.9 kg
Color	RAL 7035
Material	Ronfalin C110
Mounting	Wall
Fixing	4 x M5 bolts
Access	Front

ELECTRICAL

Termination	CPC 1, 4 pole, Male
Compass Safe Distance	> 5 m

ENVIRONMENTAL

Temperature	-25°C to +55°C (Storage: -25°C to +70°C)
Humidity	+93% (at +40°C)
Ingress Protection Rating	IP-56

Used With



P-9009

Call Unit with Socket