

4000015898

P-9052

Indoor Substation



- ✓ Built-in 2-way loudspeaker
- ✓ CALL button
- ✓ Splash proof
- ✓ Complies with IEC 60945 Standard for Marine Equipment

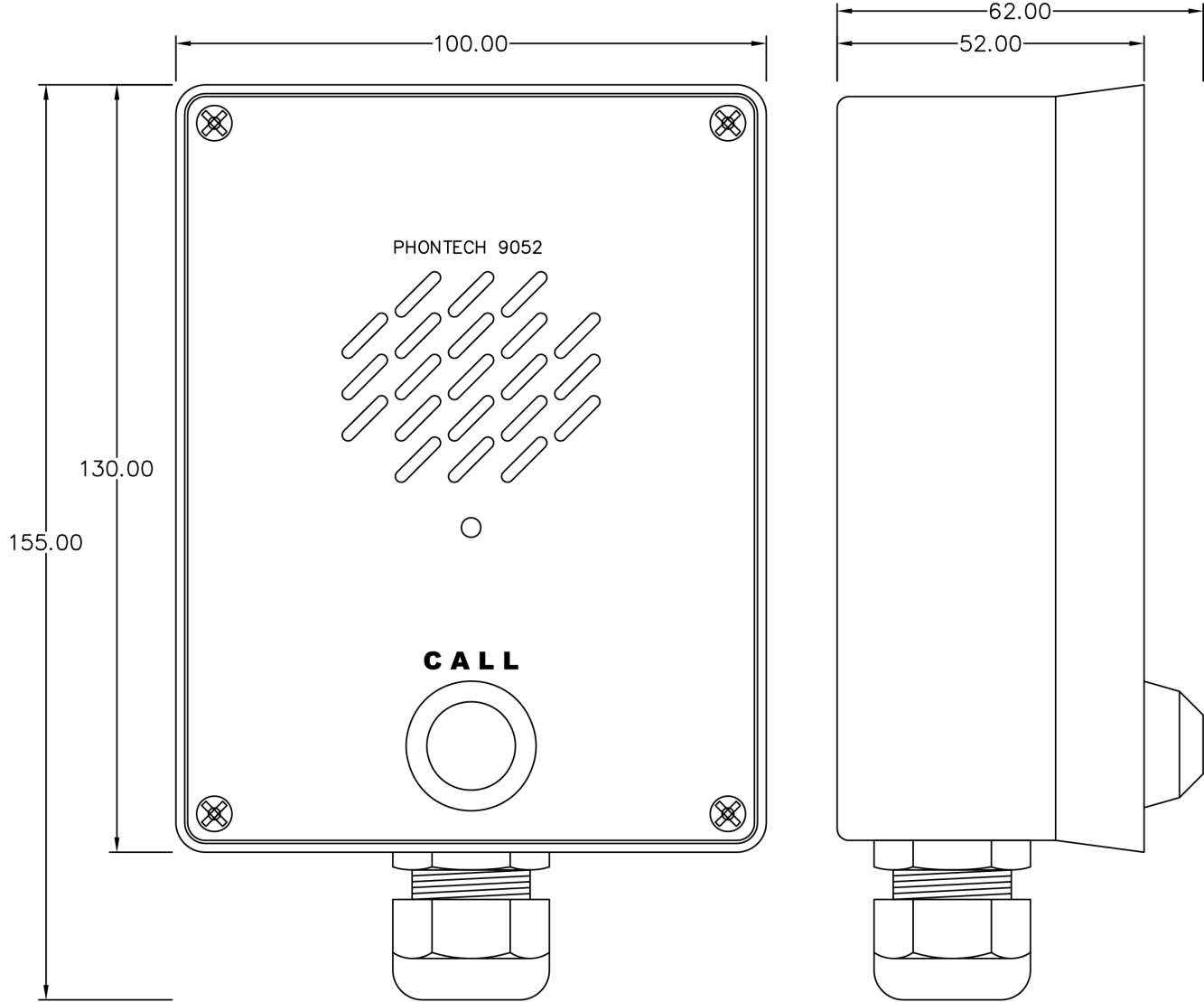


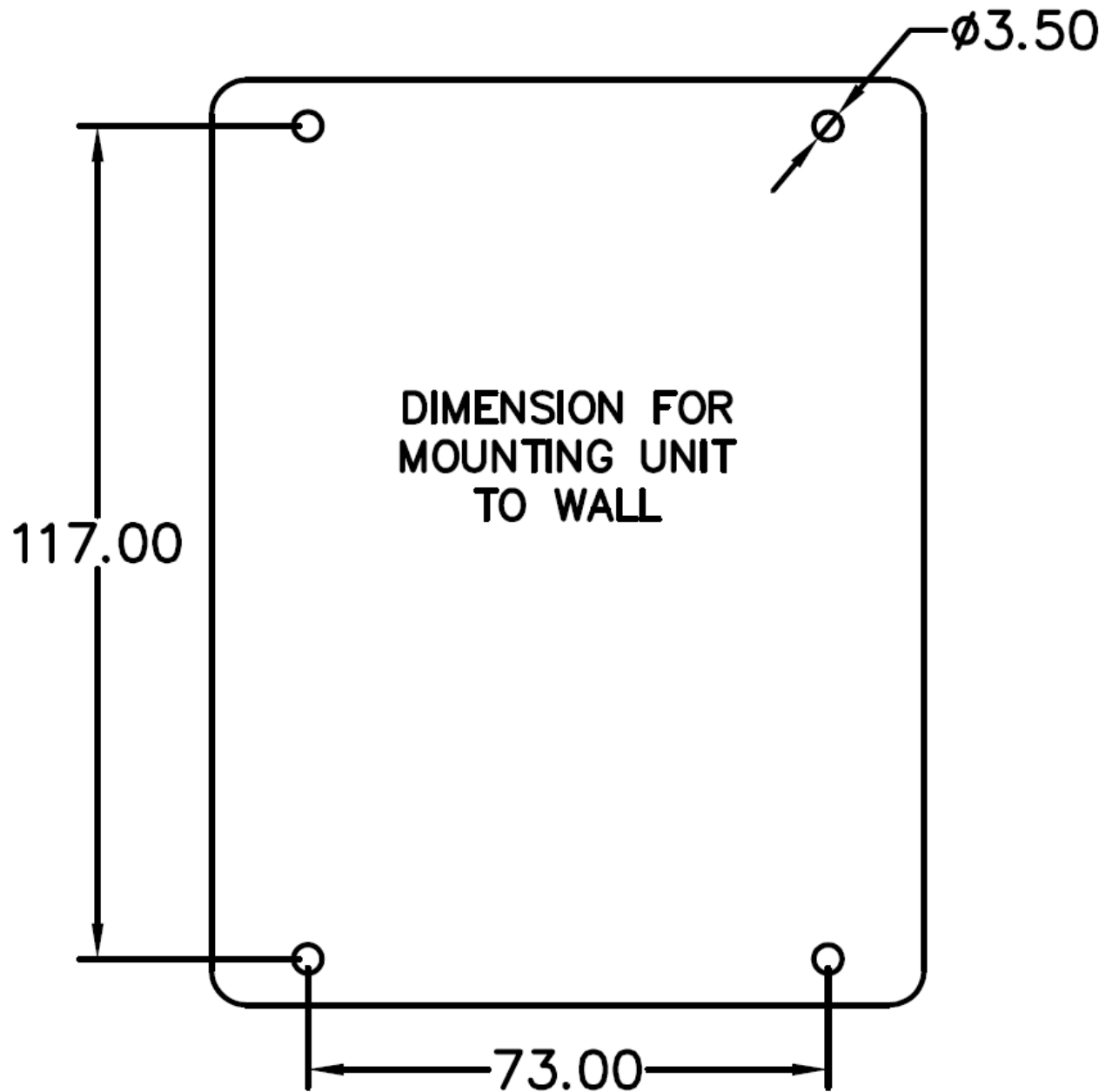
Onboard communication

Description

The P-9052 Substation is a command intercom system (Talk-Back) substation for indoor wet environments such as galleys and store rooms. It is a 2-way unit equipped with a CALL button.

Technical Dimensions





210 x 207 mm <

Specifications

MECHANICAL

Dimensions (WxHxD)	100 x 155 x 52 mm (depth 62 mm including call button)
Weight	0.6 kg
Color	RAL 9005/steel
Material	PC / ABS blend / AISI 316
Mounting	Wall
Fixing	4 x M3 bolts
Access	Front
Cable Entry	Bottom
Gland Type	PG-13.5

ELECTRICAL

Power Supply	From central/line supply
SPL (1m)	>80 dB(A)
Termination	Screw terminals ≤ 2.5 mm ²
Compass Safe Distance	> 5 m

ENVIRONMENTAL

Temperature	-15°C to +55°C
Humidity	+93% (at +40°C)
Ingress Protection Rating	IP-55

