

400015069

P-9013

Bridge Wing Unit



- ✓ Microphone contact
- ✓ Loudspeaker connection
- ✓ Indoor use
- ✓ Low voltage directive 2006/95/EC
- ✓ CE marking directive 93/68/EEC

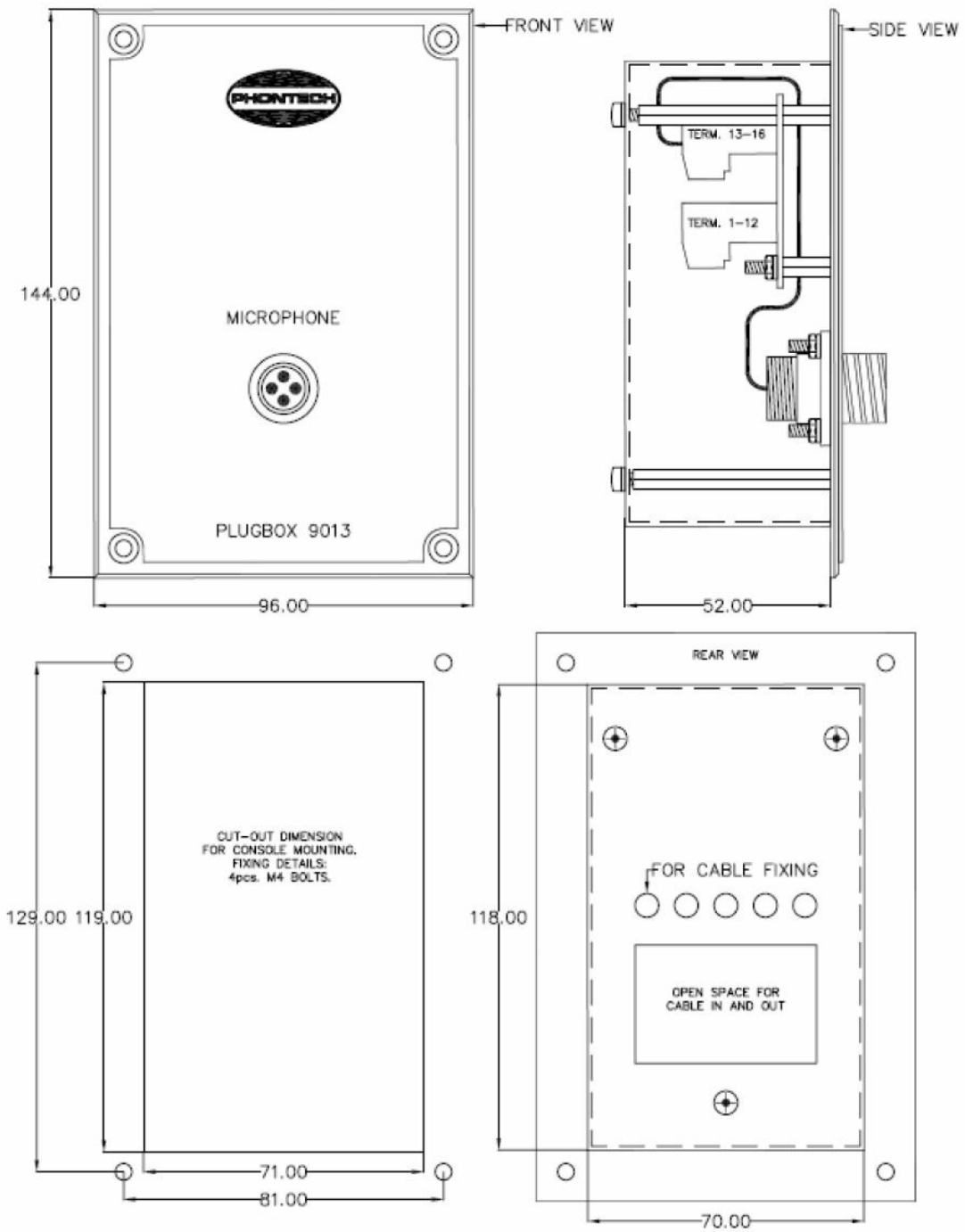


Onboard communication

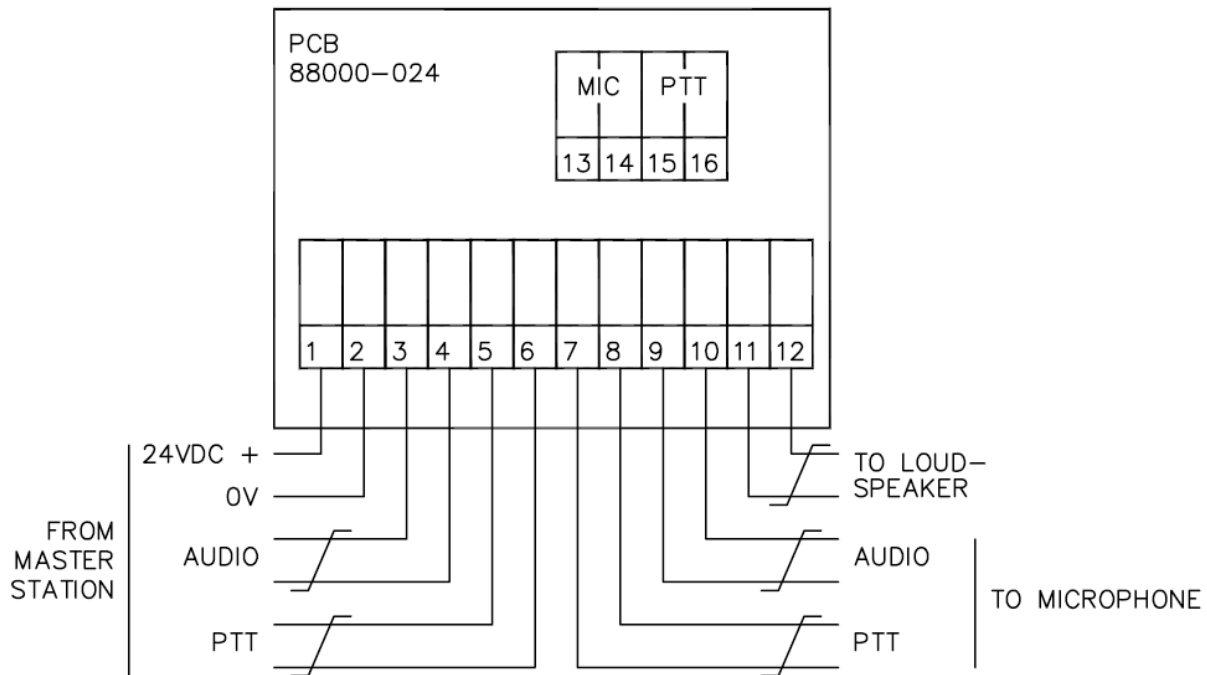
Description

The P-9013 is an indoor communication unit for bridge wing port/starboard connected to the CIS 3000 Command Intercom system.

Technical Dimensions



Specifications



MECHANICAL

Dimensions (WxHxD)	96x144x52 mm
Weight	0.25 kg
Color	RAL 9005
Material	Aluminium
Mounting	Console
Fixing	4 x M4 bolts
Access	Front
Cable Entry	Bottom

ELECTRICAL

Power Supply	24VDC from Central Unit
--------------	-------------------------

Termination	Screw terminals
-------------	-----------------

ENVIRONMENTAL

Temperature	0°C to +45°C
-------------	--------------

Humidity	20-80 % Non-condensing
----------	------------------------

Ingress Protection Rating	IP-20
---------------------------	-------
