



4000014279

## P-9018

Bridge Wing Telephone

- ✓ Handset
- ✓ Console mounted
- ✓ Low voltage directive 2006/95/EC
- ✓ CE marking directive 93/68/EEC

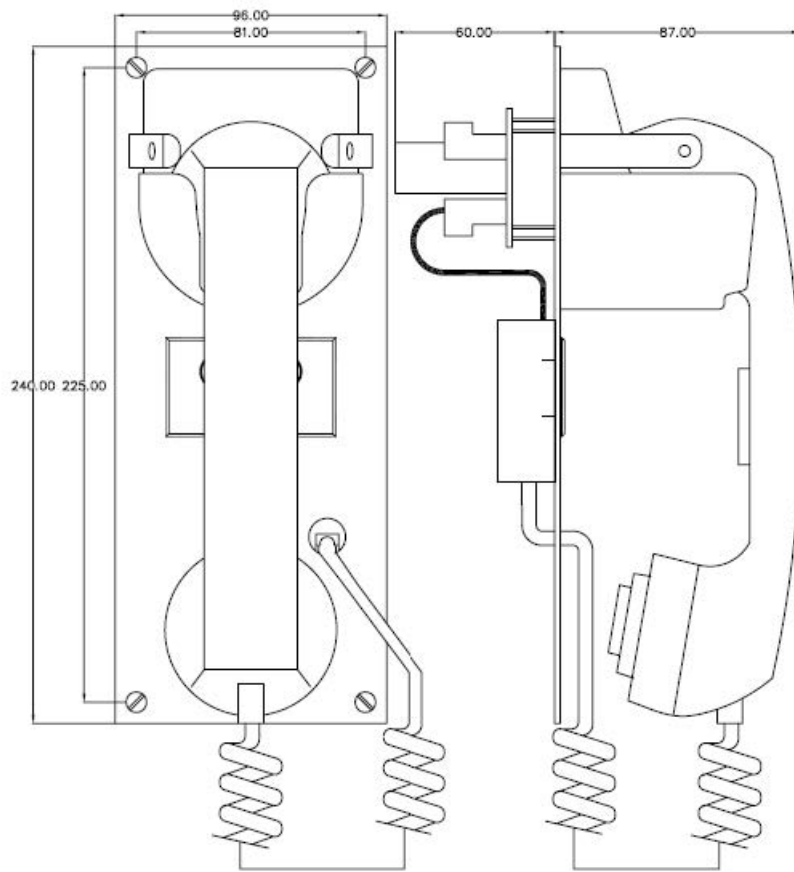


Onboard communication

## Description

The P-9018 is an indoor telephone for Bridge Wing Port/ Starboard connected to the Command Intercom system CIS 3000.

## Technical Dimensions



- NOTES:
- REQUIRED OPENING FOR FLUSH-MOUNTING: 66 x 210mm, 15,00mm IN FROM EACH SIDE.
  - COLOUR: FRONT: BLACK, TELEPHONE: BLACK.
  - WEIGHT: APP. 1,50Kg.
  - FIXING DETAILS: 4pcs. M4 SCREW.

# Specifications

## MECHANICAL

Dimensions (WxHxD)	96x240x147 mm
Weight	1.5 kg
Color	RAL 9005
Material	Steel
Mounting	Flush mounted
Fixing	4 x M4 bolts
Access	Front
Cable Entry	Rear

## ELECTRICAL

Power Supply	24VDC from Central Unit
Termination	Screw terminals

## ENVIRONMENTAL

Temperature	0°C to +45°C
Humidity	20-80 % Non-condensing
Ingress Protection Rating	IP-22