

2310601060

**170155-00**

Decorative Slave Clock, 300MM, TC-M



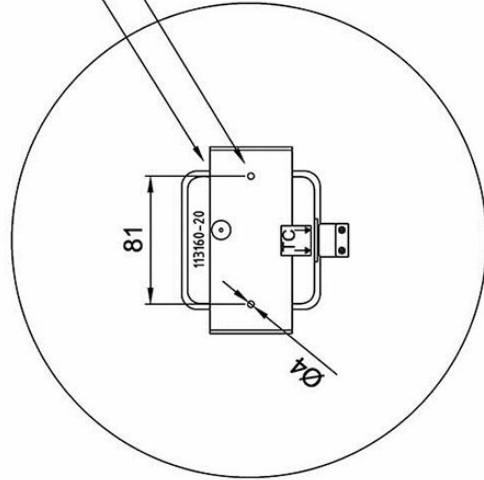
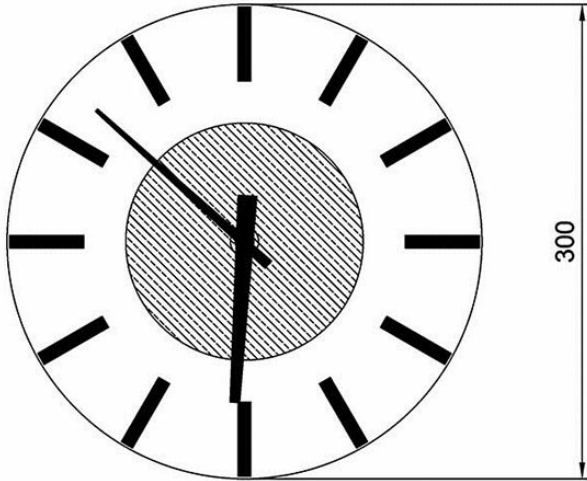
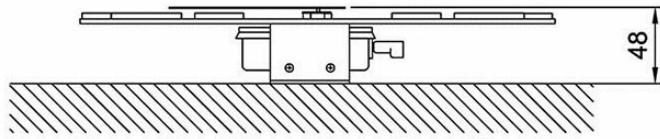
- ✓ Smoke colored dial
- ✓ Hands and hour marks in brass
- ✓ DCF format with time zone adjustment
- ✓ 2 wire bus connection w/ power and serial time code

---

## Description

The analogue clock for wired DCF Time-Code from Marine Master Clock provides the possibility to create a time distribution system, with high accuracy and high reliability. The clock is intended for connection to a 2-wire bus which combines power supply and serial Time-Code A built in microprocessor receives the Time Code, reads the position of the hands, and sets the clock to correct time. The Time-Code, built up according to the DCF-format, contains information about year, month, day hour and minute. At each minute shift seconds are synchronised as well. The transmission speed is 1 bit/second. 24VDC power supply for the built in electronics is combined with the Time-Code. The clock is intended for time zone adjustment from a Marine master clock.

## Technical Dimensions



MOUNTING BRACKET  
2 x FASTENING HOLES

SLAVECLOCK MASTERCLOCK 70000

4	1	IA	IMPULS
	2	IB	OUTPUT
	3	IA	ND. 1
	4	IB	
	5	IA	IMPULS
	6	IB	OUTPUT
	7	IA	ND. 2
	8	IB	
	9	IA	IMPULS
	10	IB	OUTPUT
	11	IA	ND. 3
	12	IB	

# Specifications

## GENERAL

Mounting	Surface mounting with bracket
Housing	Smoked face, hands and marks in brass
Dimensions (mm)	Ø300 x 48D
Connection	2 wire
Connection voltage	24VDC combined with serial Time-Code
Type of time code	DCF-format with Time zone adjustment.
Microcontroller	PIC16F628
Temperature range	-20°C to +50°C
Power consumption	15mA
Weight	1.0 kg