



4000011255

P-0013

Bridge Wing Unit

- ✓ Microphone contact
- ✓ Loudspeaker connection
- ✓ Watertight
- ✓ Complies with IEC 60945 Standard for Marine Equipment

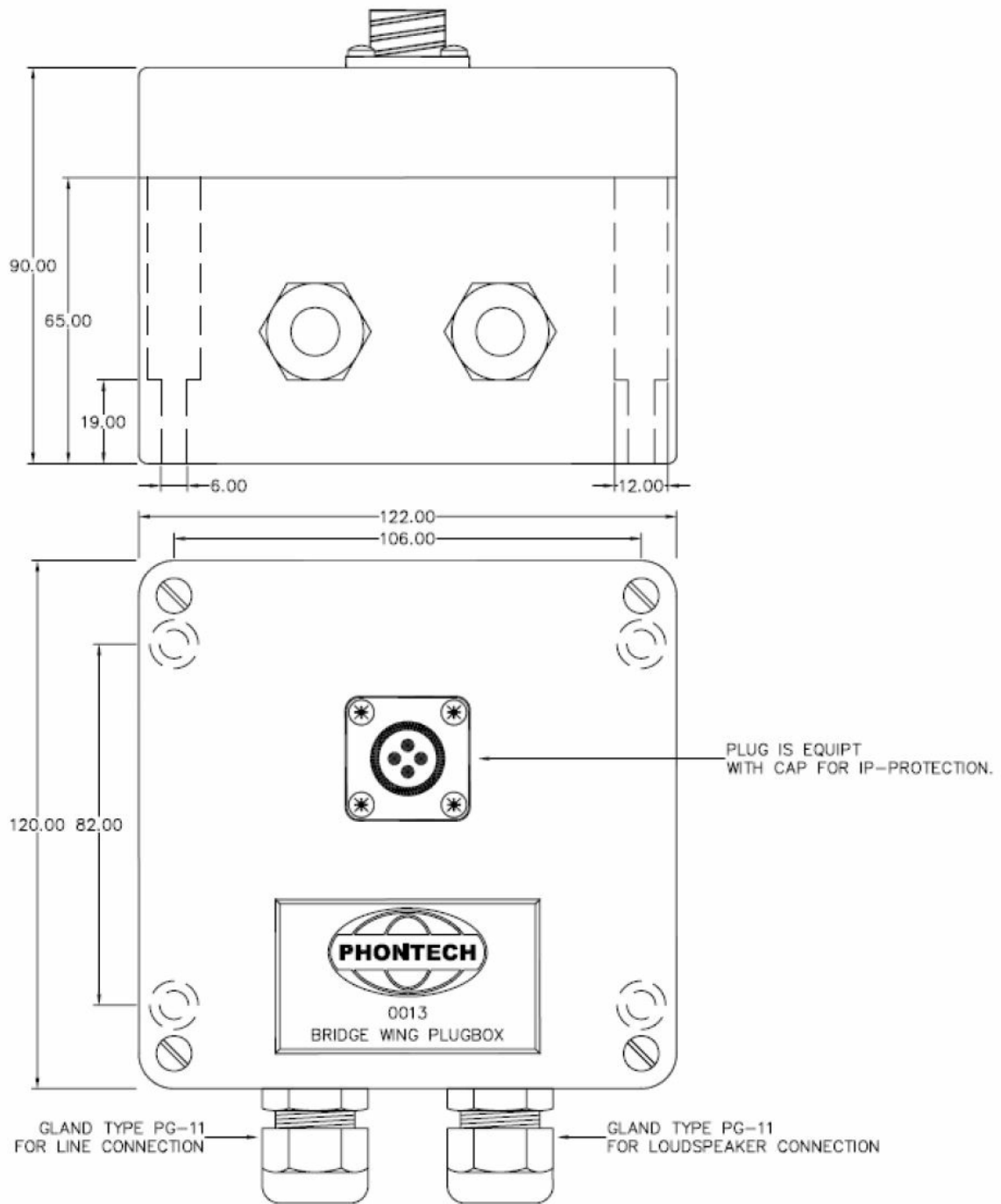


Onboard communication

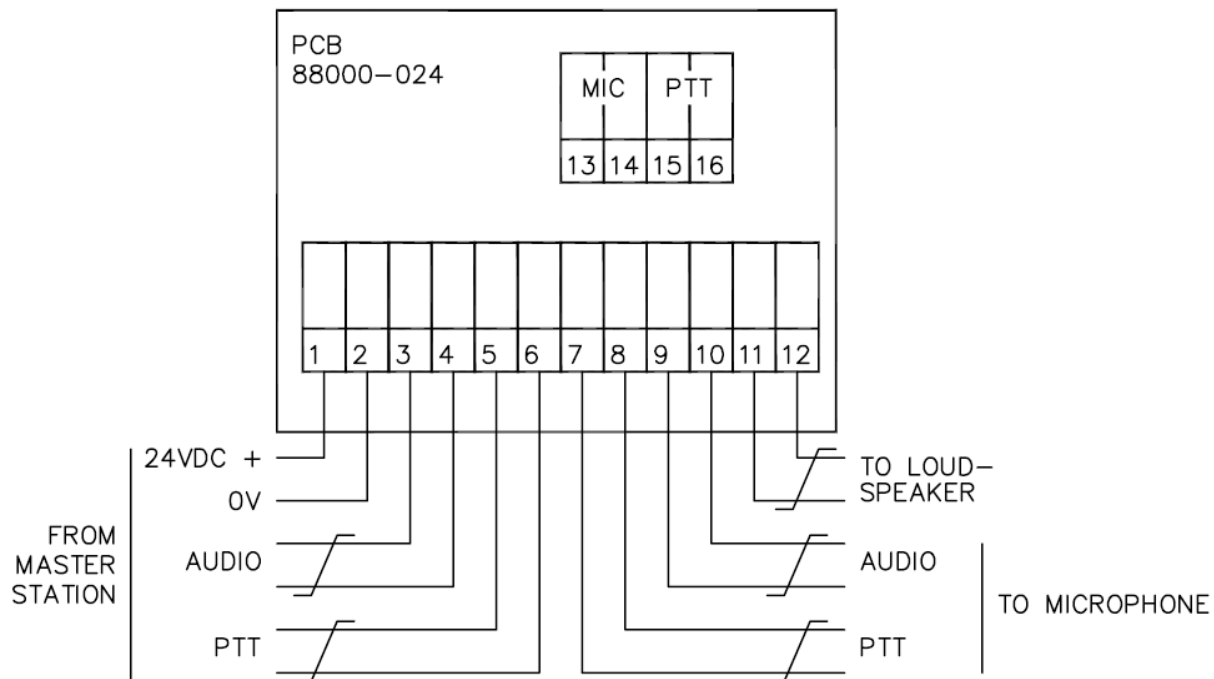
Description

The P-0013 is a bridge wing plug box for connecting microphones and loudspeakers to the Command Intercom System (Talk-Back).

Technical Dimensions



Specifications



MECHANICAL

Dimensions (WxHxD)	122x122x90 mm
Weight	0.3 kg
Color	RAL 7001
Material	GRP
Mounting	Wall
Fixing	4 x M4 bolts
Access	Front
Cable Entry	Bottom
Gland Type	2 x SKINTOPPG11 (ø 4-10mm)

ELECTRICAL

Power Supply	From central
Termination	6 screw terminals ≤ 2.5 mm ² , CPC 1 (4-pole female) for microphone
Compass Safe Distance	> 5 m

ENVIRONMENTAL

Temperature	-25°C to +55°C (Storage: -25°C to +70°C)
Humidity	+93% (at +40°C)
Ingress Protection Rating	IP-56

Used With



P-9117

Handheld Microphone



P-9217

Handheld Microphone