

4000017569

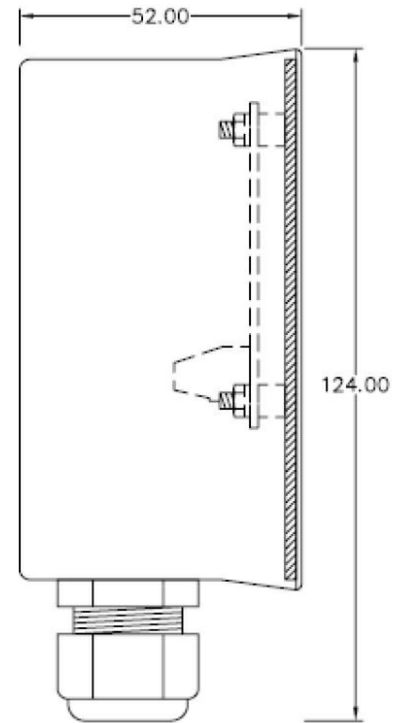
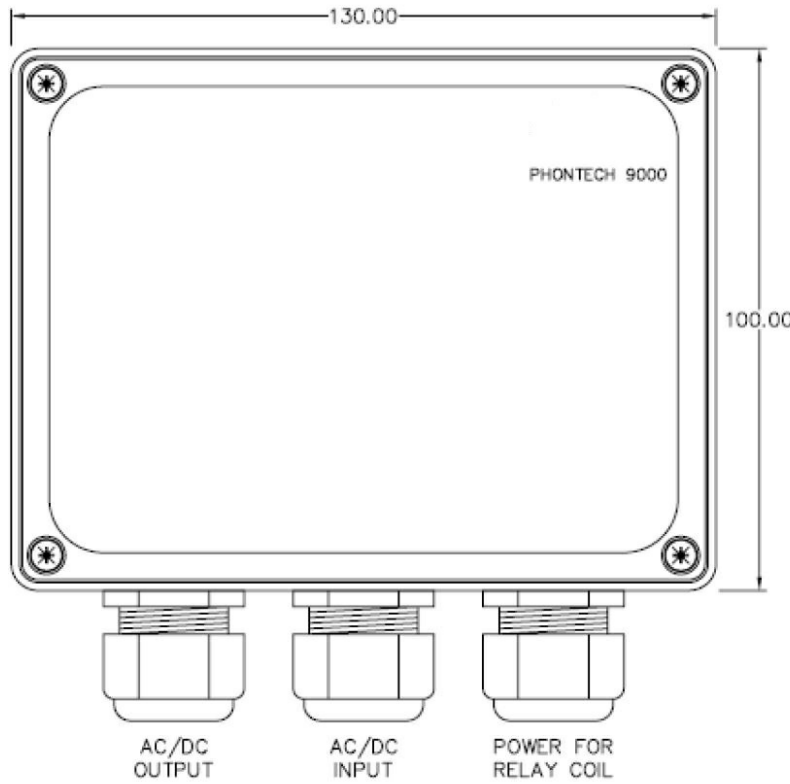
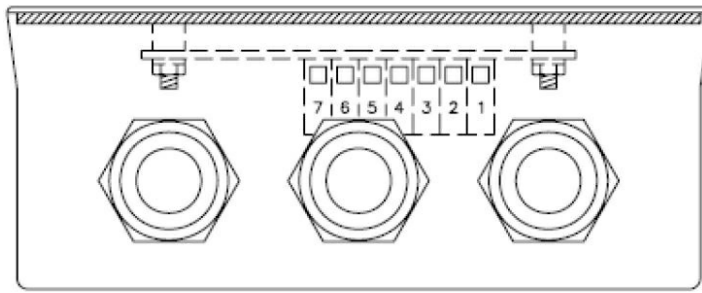
P-9000 Relay Unit

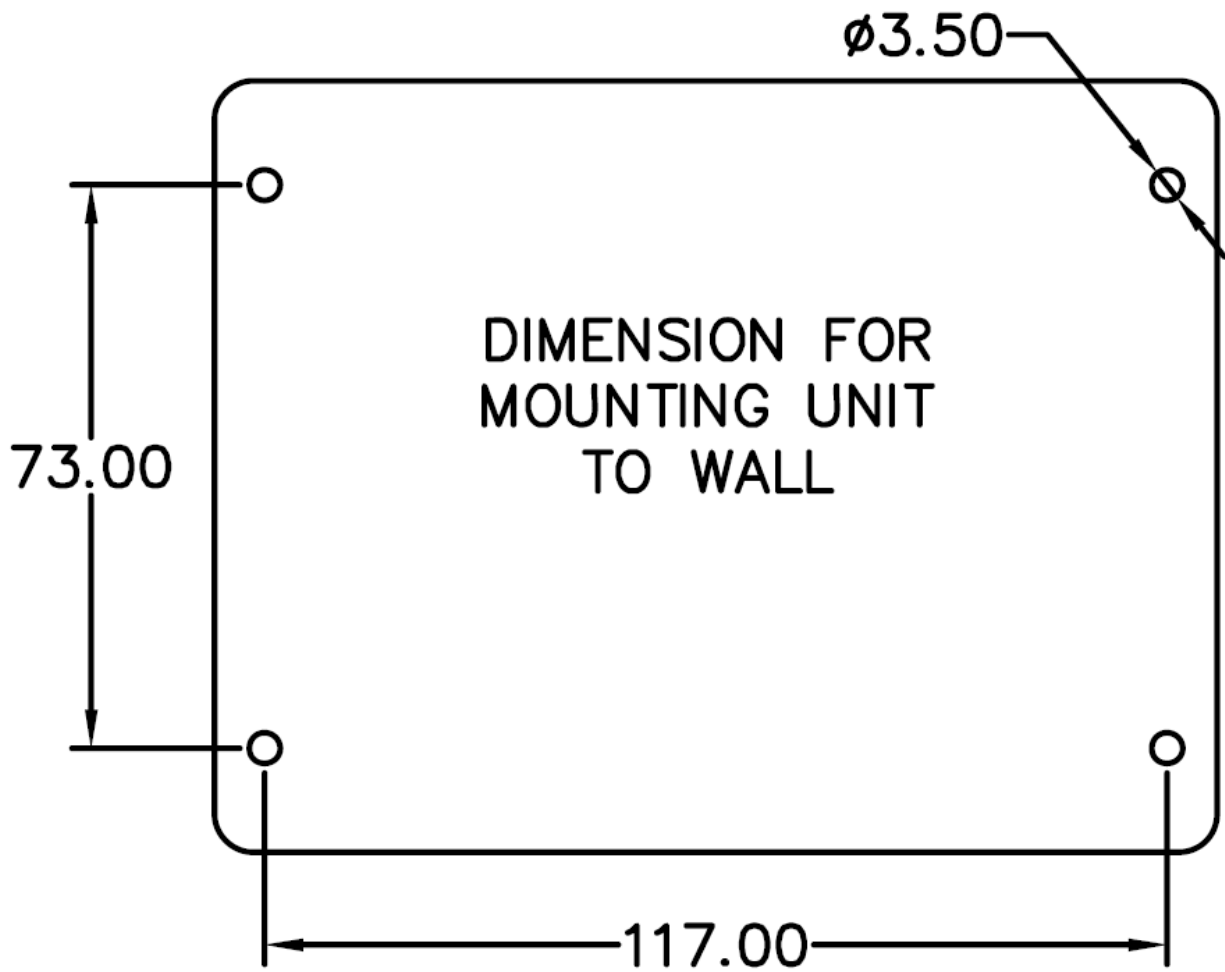


Description

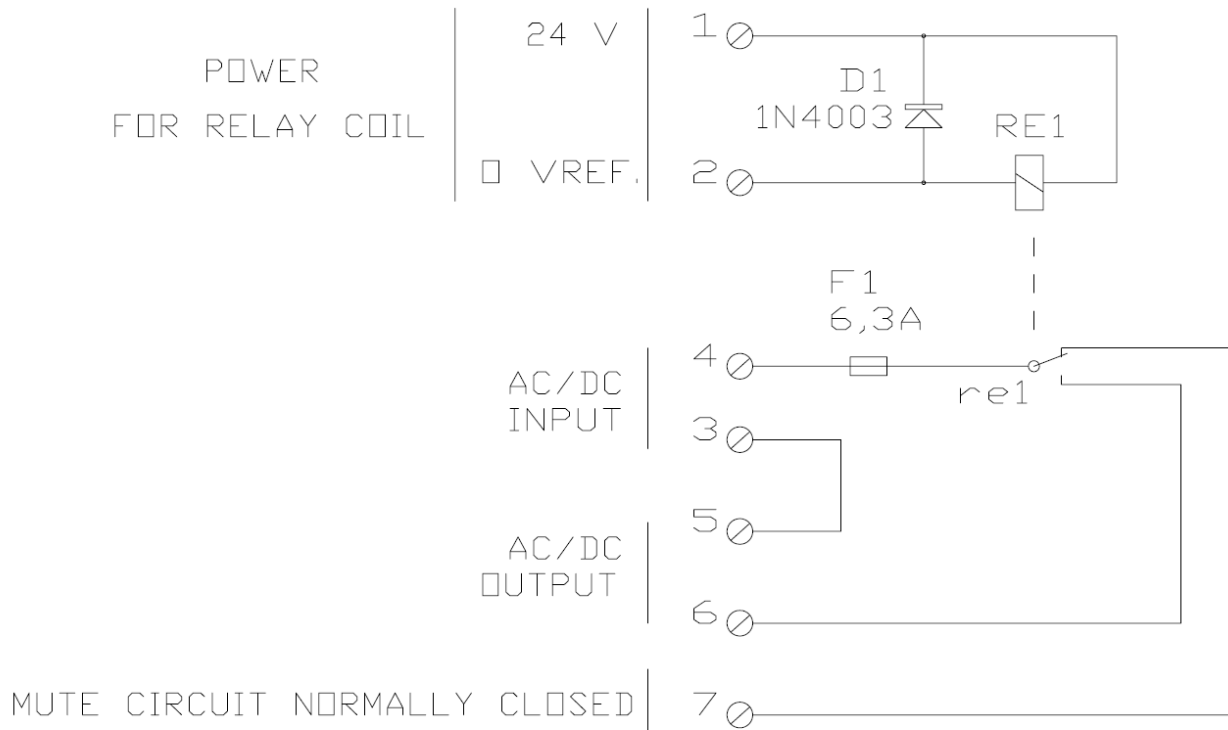
The P-9000 is a relay unit for activation of an external signal device and is wall mounted.

Technical Dimensions





Specifications



MECHANICAL

Dimensions (WxHxD)	130x124x52 mm
Weight	0.3 kg
Color	RAL 9005/9006
Material	PC / ABS blend
Mounting	Wall
Fixing	4 x M3 bolts
Access	Front
Cable Entry	Bottom/Top
Gland Type	3 x M20

ELECTRICAL

Relay Coil (load)	24VDC / 1200 Ω
Switching Capacity	6.3A / 250VAC
Termination	Screw terminals \leq 2.5 mm ²
Compass Safe Distance	> 5 m

ENVIRONMENTAL

Temperature	-25°C to +55°C (Storage: -30°C to +70°C)
Humidity	+93% (at +40°C)
Ingress Protection Rating	IP-56