

4000017571

P-9002

Junction Box for Loudspeaker

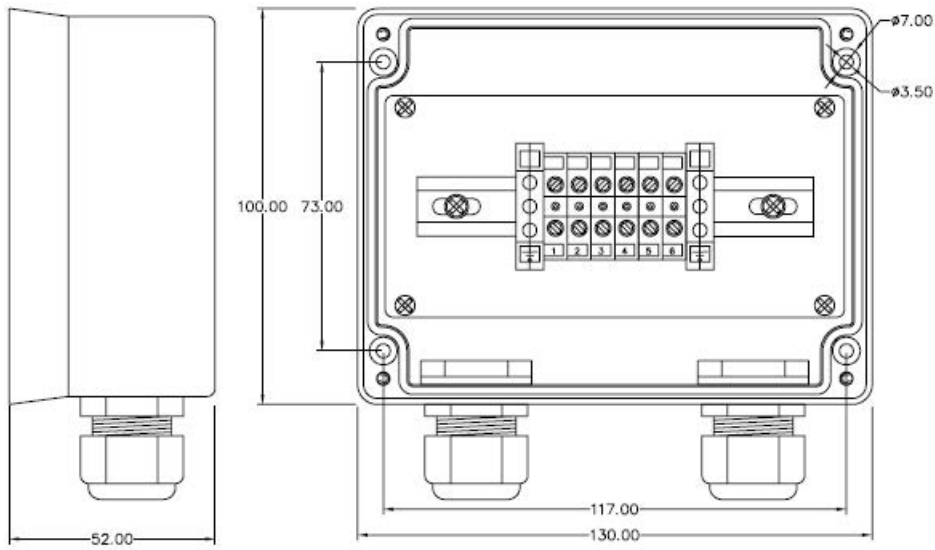


Description

- ✔ Complies with IEC 60945 Standard for Marine Equipment

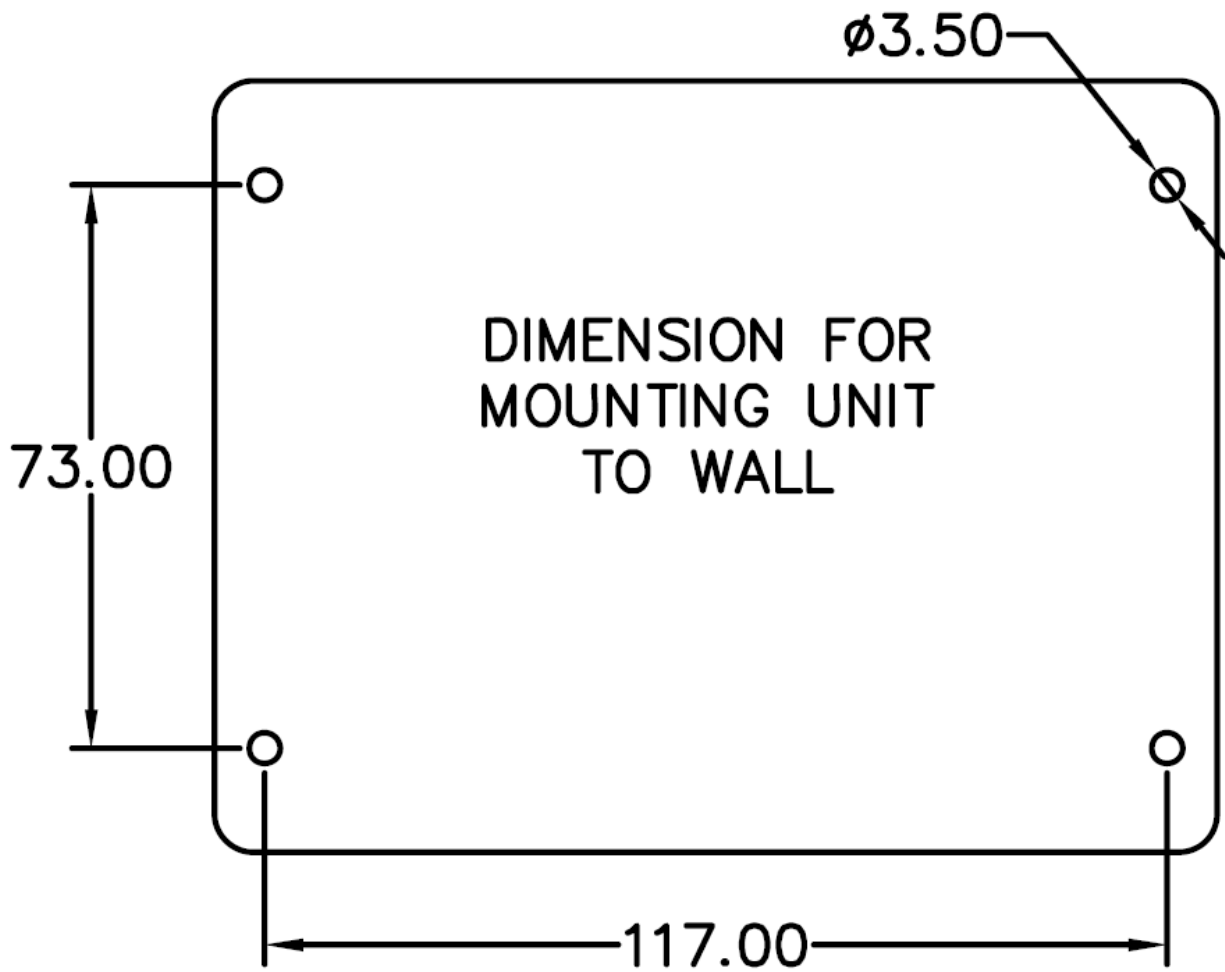
The P-9002 is a Junction Box for loudspeakers and other general purposes. It is suitable for daisy chain connection of loudspeakers with only one cable entry.

Technical Dimensions



FRONT VIEW (CLOSED)





Specifications

MECHANICAL

Dimensions (WxHxD)	130x124x52 mm
Weight	0.3 kg
Color	RAL 9005/9006
Material	PC / ABS blend
Mounting	Wall
Fixing	4 x M3 bolts
Access	Front
Cable Entry	Bottom/Top
Gland Type	2 x M20

ELECTRICAL

Termination	2x6 screw terminals <4 mm ²
Compass Safe Distance	> 5 m

ENVIRONMENTAL

Temperature	-25°C to +55°C (Storage: -25°C to +70°C)
Humidity	+93% (at +40°C)
Ingress Protection Rating	IP-56