

4000017575

P-9011 Plugbox

Weatherproof plugbox for connecting headsets, microphones, and intercom stations in marine communication systems.



- ✓ Weatherproof enclosure: Designed for use in demanding marine environments
- ✓ IEC 60945 compliant: Meets the standard for marine electronic equipment
- ✓ Flexible connectivity: Supports headset types P-0005 and P-0018
- ✓ Accessory compatibility: Supports microphone types P-9017, P-9117, P-9217
- ✓ Intercom integration: Compatible with intercom station P-6114

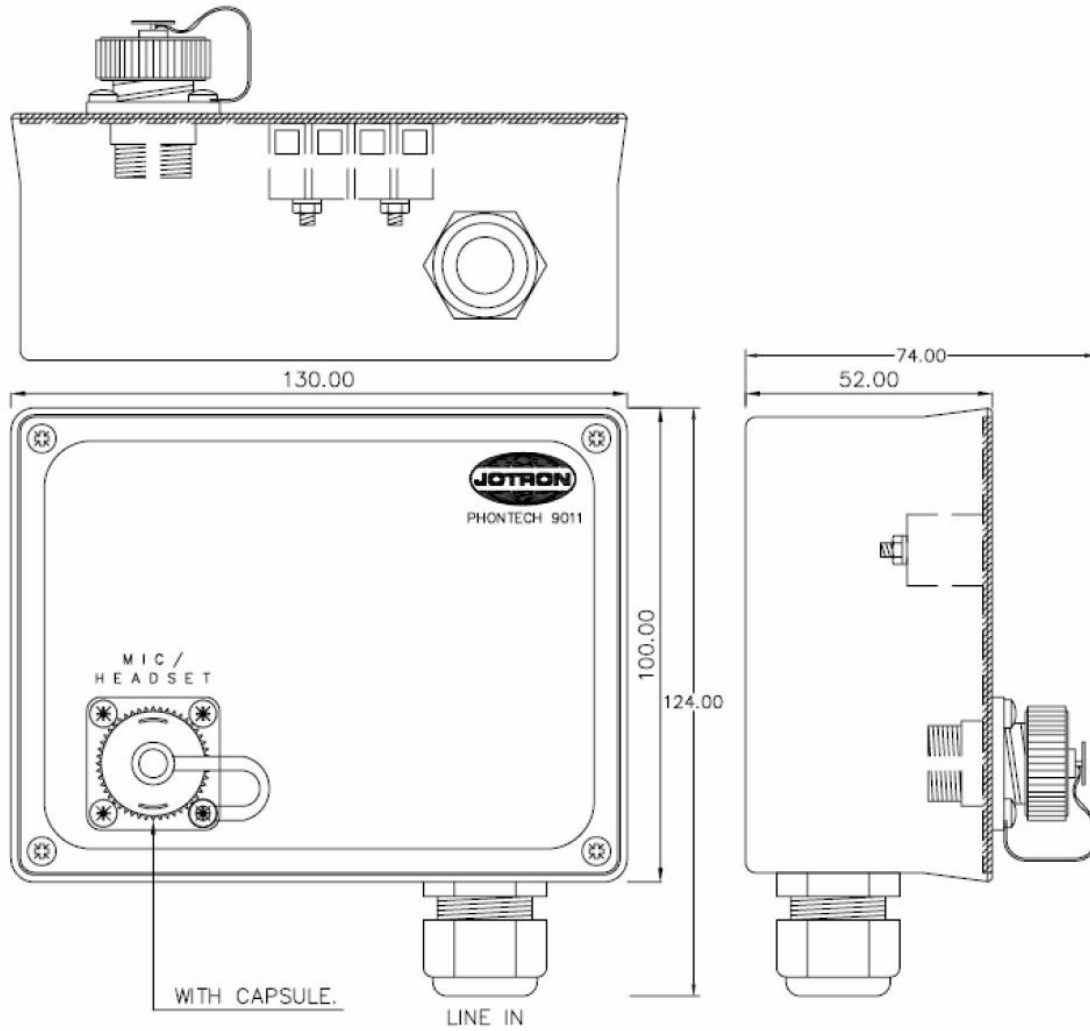
Description

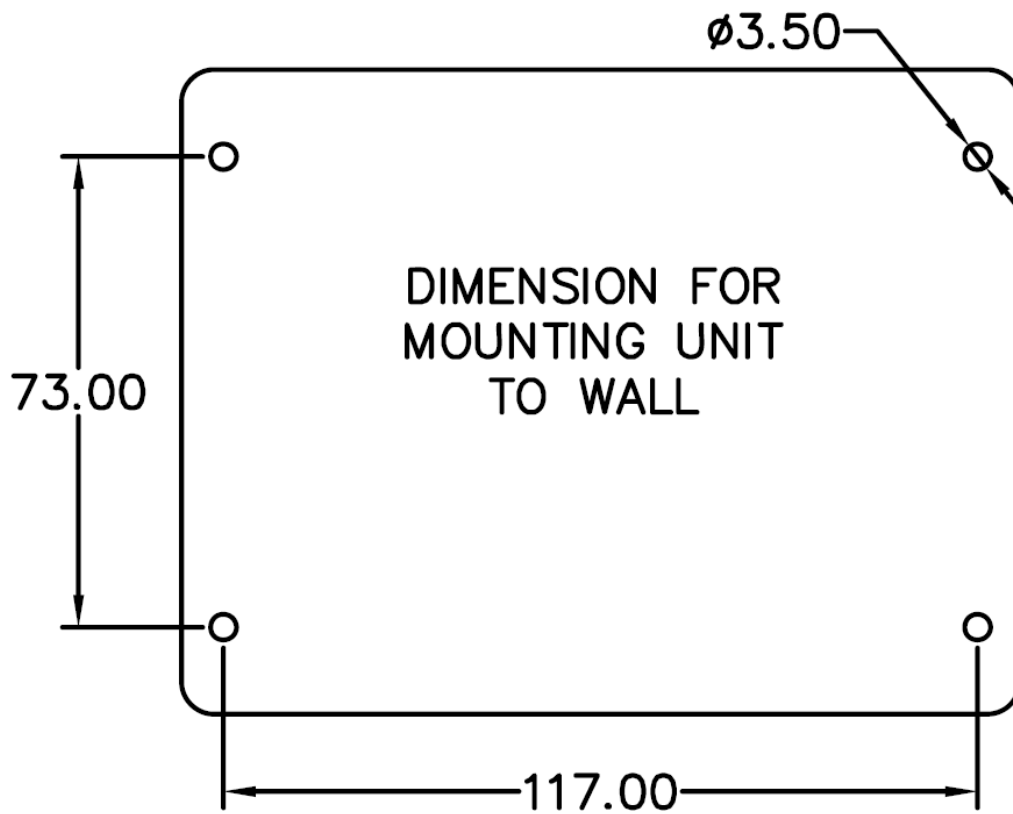
The P-9011 plugbox is designed for reliable connection of headset and microphone equipment in onboard communication systems. Its weatherproof enclosure ensures dependable operation in demanding marine environments.

The plugbox provides a secure interface between communication stations and accessories, making it suitable for installation in working areas where robust and protected connections are required.

- ✓ Complies with IEC 60945 standard for marine equipment
- ✓ Marine type approval certificate available

Technical Dimensions





Specifications

MECHANICAL

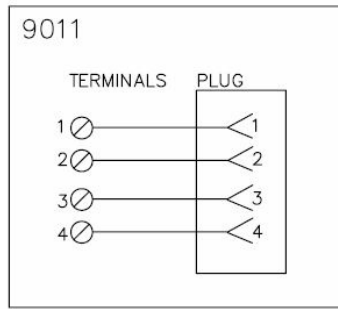
Dimensions (WxHxD)	130x124x74 mm
Weight	0.3 kg
Color	RAL 9005/9006
Material	PC / ABS blend
Mounting	Wall
Fixing	4 x M3 bolts
Access	Front
Cable Entry	Bottom/Top
Gland Type	1 x M20

ELECTRICAL

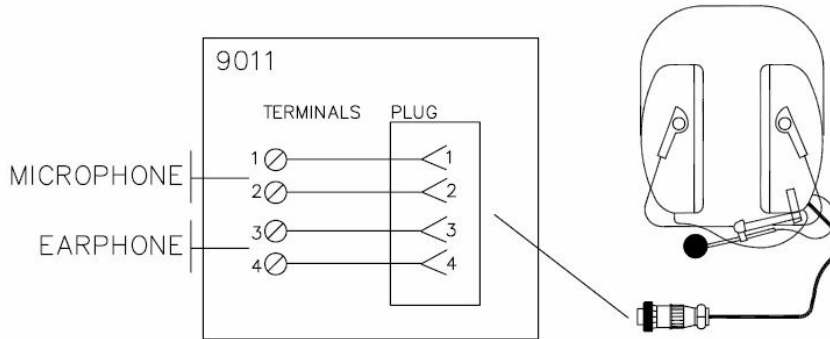
Termination	Screw terminals <2,5 mm ²
Compass Safe Distance	> 5 m

ENVIRONMENTAL

Temperature	-25°C to +55°C (Storage: -25°C to +70°C)
Humidity	+93% (at +40°C)
Ingress Protection Rating	IP-44



GENERAL PURPOSE



HEADSET / MICROPHONE

Used With



P-0005

Hearing-Protective Headset for substations

Item Number: 4000011249



P-9017

Handheld microphone, noise cancelling

Item Number: 4000014197



P-9117

Handheld Microphone

Item Number: 4000014198



P-9217

Handheld Microphone

Item Number: 4000014199