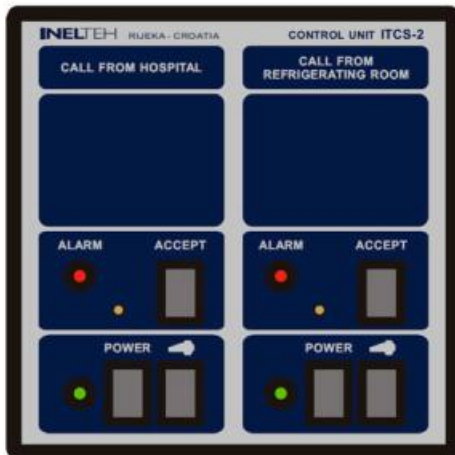


4000018931

ITCS-2A-230VAC

Double Call Control Unit, 230 VAC

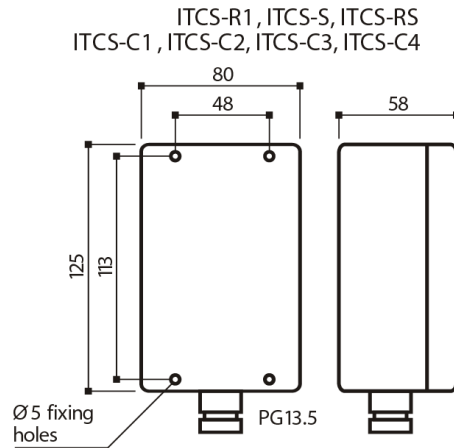
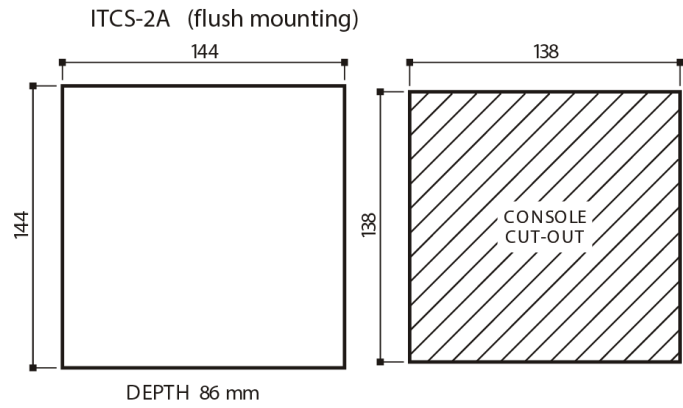
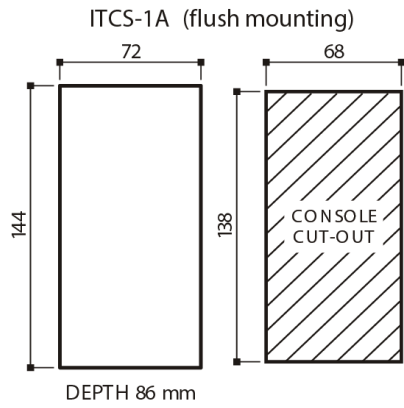


Description

- ✓ Call is indicated by buzzer and red "ALARM" LE diode
- ✓ "POWER" switch to turn on/off supply of whole system
- ✓ Power ON is indicated by green LE diode
- ✓ "DIMMER" switch to reduce intensity of green LE diode
- ✓ "ACCEPT" push button for audio alarm acceptance - visual signalization remains until call is reset on ITCS-RS or ITCS-C4
- ✓ Relays for external and power failure alarm
- ✓ Flush mounting (bulkhead on request)

Control unit for indication and acceptance of calls used in calling system type ITCS-A.

Technical Dimensions



All dimensions in mm

Specifications

MECHANICAL

Dimensions (WxHxD)	144x144x86 mm
--------------------	---------------

Weight	0.86 kg
--------	---------
