

4000016468

## ITCS-C1

Hospital Call Unit for Inelteh Call System



- ✓ Hospital call unit for Inelteh Call System
- ✓ Push-button activation for easy call initiation
- ✓ Designed for medical and patient care applications
- ✓ Bulkhead mounting
- ✓ Compatible with ITCS-A hospital communication system

---

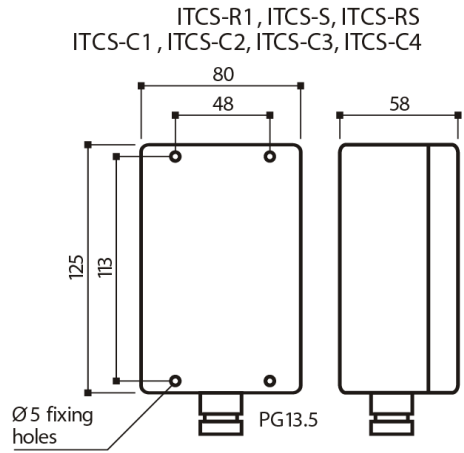
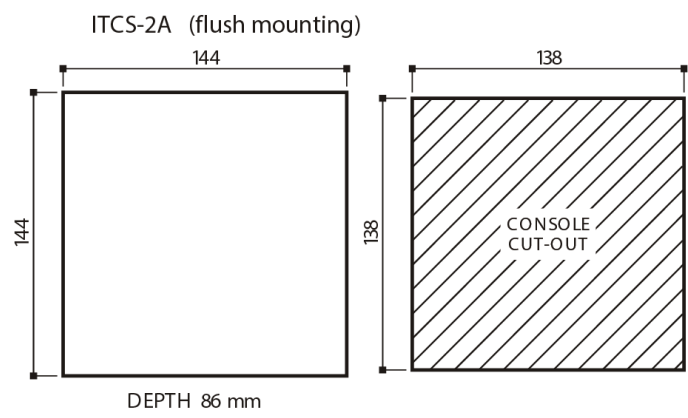
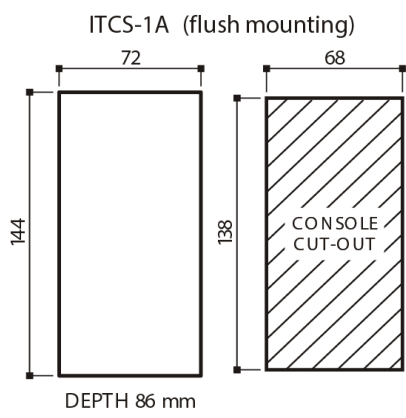
## Description

The ITCS-C1 is a hospital call unit designed for use in shipboard hospitals, patient care areas, and other medical facilities where a reliable call system is required. It allows patients or personnel to initiate a call for assistance quickly and efficiently.

- ✓ Push-button call activation – Ensures easy and immediate call initiation.
- ✓ Designed for hospital environments – Provides reliable communication for patient care and emergency response.
- ✓ Bulkhead mounting – Secure and space-efficient installation.
- ✓ Part of the ITCS-A hospital communication system – Seamlessly integrates with Inelteh's patient care solutions.

The ITCS-C1 enhances onboard healthcare communication by providing a dedicated call unit, ensuring prompt assistance in medical environments.

## Technical Dimensions



All dimensions in mm

# Specifications

## MECHANICAL

---

Dimensions (WxHxD)	80x125x85 mm
--------------------	--------------

---

Weight	0.35 kg
--------	---------

---

## Used With



### ITCS-RS

Reset Unit for Inelteh Call System