

4000016469

## ITCS-C2

Hospital Calling Unit



---

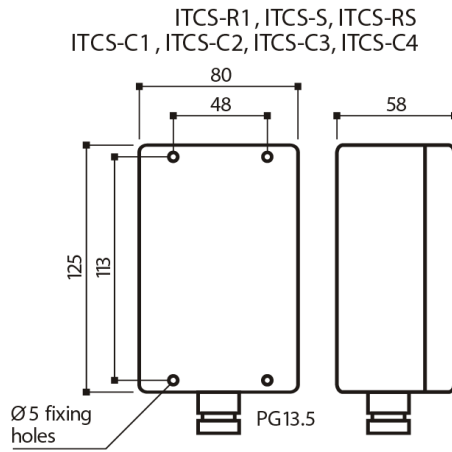
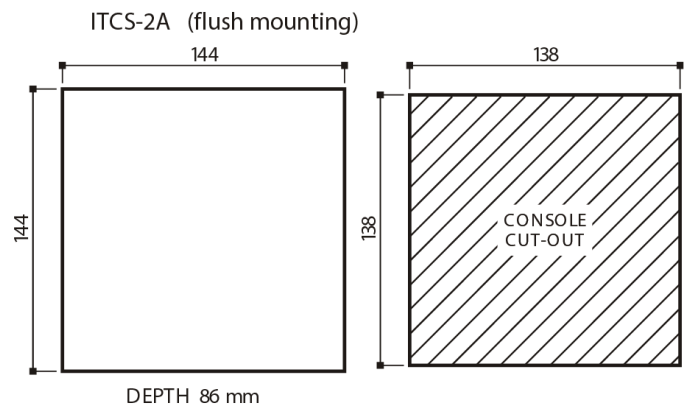
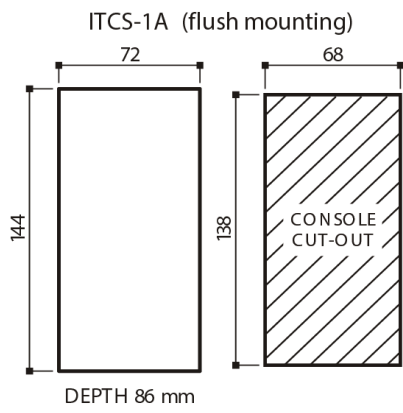
---

## Description

- ✓ Push button "CALL" for calling
- ✓ Call is indicated by red LE diode (it lights until call is accepted and completely reset)
- ✓ Bulkhead mounting (flush on request)

Calling Unit used in ITCS-A calling system.

## Technical Dimensions



All dimensions in mm

# Specifications

## MECHANICAL

---

Dimensions (WxHxD)	80x125x58 mm
--------------------	--------------

---

Weight	0.2 kg
--------	--------

---

## Used With



### ITCS-RS

Reset Unit