

4000018415

## ITCS-C4

Hospital Calling Unit



---

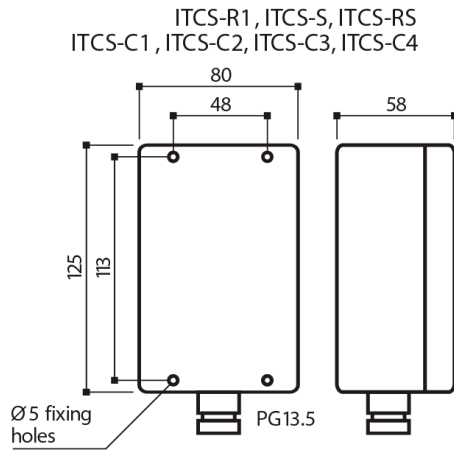
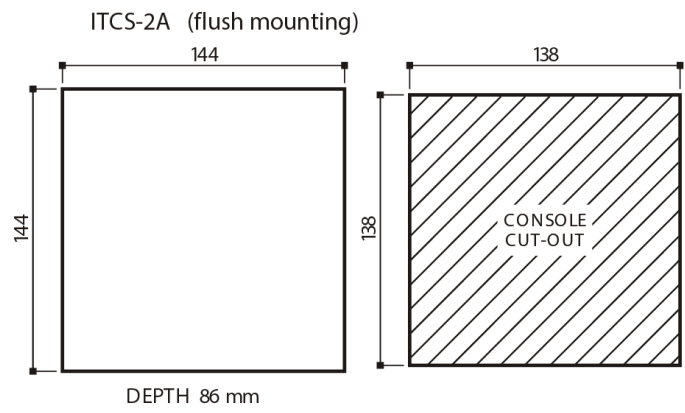
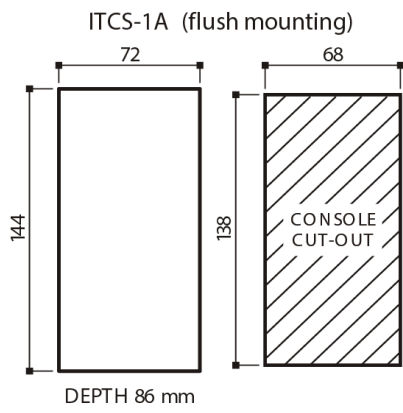
---

## Description

- ✓ Push button on cable suitable for using near hospital's bed
- ✓ Call is indicated by red LE diode
- ✓ "RESET" push button for call reset (completely resets all audio and visual signalization in system)
- ✓ Bulkhead mounting (flush on request)

Calling Unit with Push Button on Cable and Call Reset used in ITCS-A calling system.

## Technical Dimensions



All dimensions in mm

# Specifications

## MECHANICAL

---

Dimensions (WxHxD)	80x125x85 mm
--------------------	--------------

---

Weight	0.34 kg
--------	---------

---