

4000018462

ITCS-R1

Repeater Unit

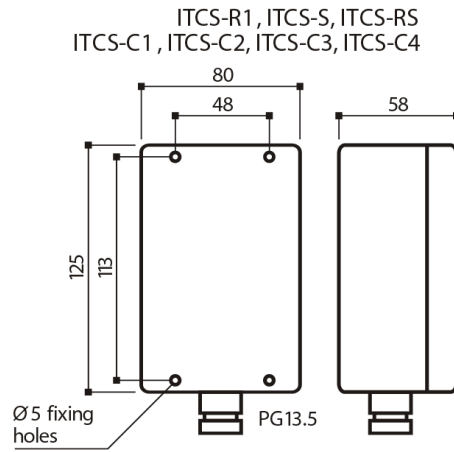
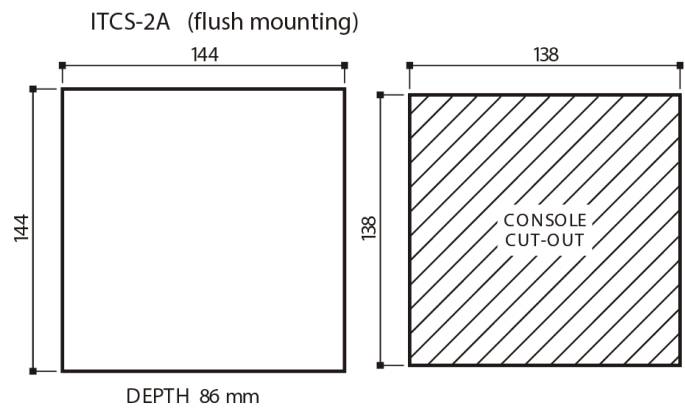
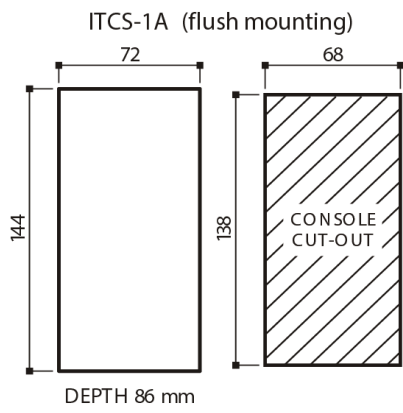


Description

- ✓ Call is indicated by buzzer and red "ALARM" LE diode
- ✓ Power ON is indicated by green LE diode
- ✓ "ACCEPT" push button for audio alarm acceptance - visual signalization remains until call is reset on ITCS-RS or ITCS-C4
- ✓ Bulkhead mounting (flush on request)

Repeater unit for indication and acceptance of calls used in ITCS-A calling system.

Technical Dimensions



All dimensions in mm

Specifications

MECHANICAL

Dimensions (WxHxD)	80x155x58 mm
Weight	0.26 kg

Used With



ITCS-RS

Reset Unit



ITCS-C4

Hospital Calling Unit