

4000018413

ITCS-RS

Reset Unit

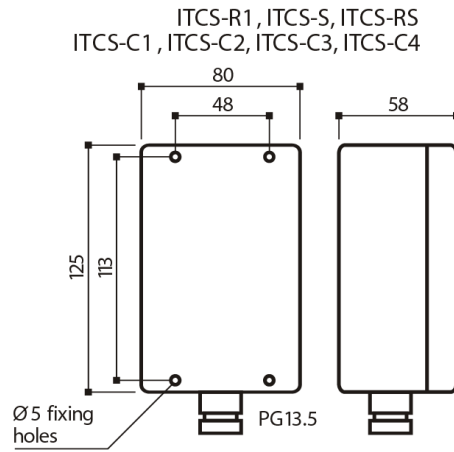
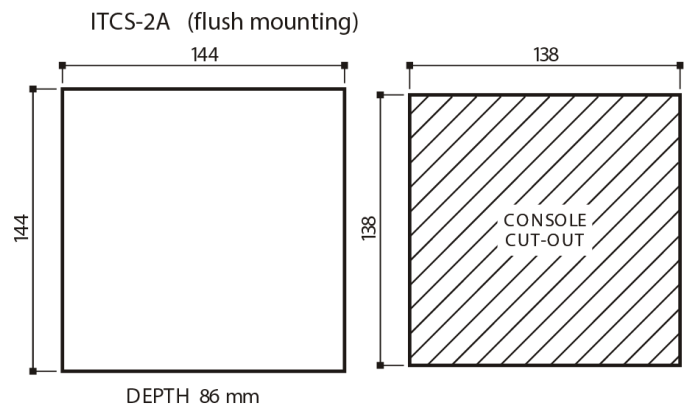
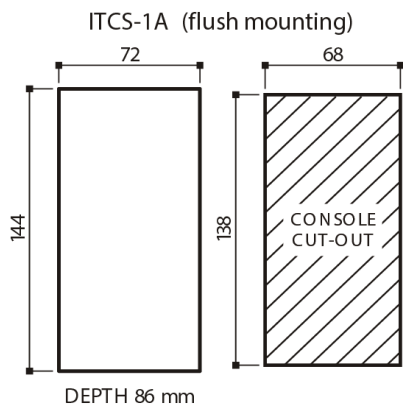


Description

- ✓ Water resistant (IP-56) illuminated push button for call reset (completely resets all audio and visual signalization in system)
- ✓ Used in combination with ITCS-C3 calling unit, in system for call from refrigerating room
- ✓ Can be used for common reset as a part of hospital calling system (in case when ITCS-C1 and/or ITCS-C2 calling units are used)
- ✓ Red bulb in push button lights when call is done, until call is reset
- ✓ Bulkhead mounting (flush on request)

Reset unit used in ITCS-A calling system.

Technical Dimensions



All dimensions in mm

Specifications

MECHANICAL

Dimensions (WxHxD) 80x125x58 mm

Weight 0.23 kg

Used With



ITCS-1A-24VDC

Single Call Control Unit, 24 VDC



ITCS-2A-24VDC

Double Call Control Unit, 24 VDC



ITCS-2A-230VAC

Double Call Control Unit, 230 VAC



ITCS-1A-230VAC

Single Call Control Unit, 230 VAC



ITCS-C3

Refrigerator Calling Unit



ITCS-C2

Hospital Calling Unit



ITCS-C1

Hospital Calling Unit