

4000016471

## ITCS-S

Signaling Unit



---

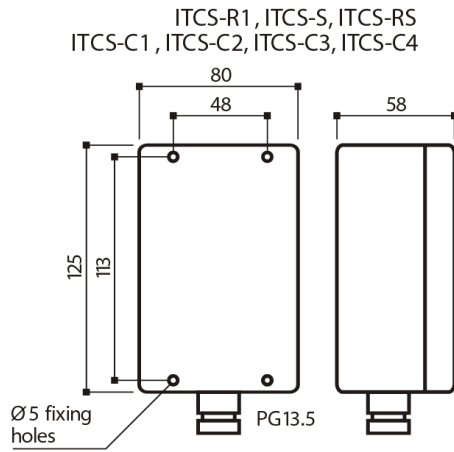
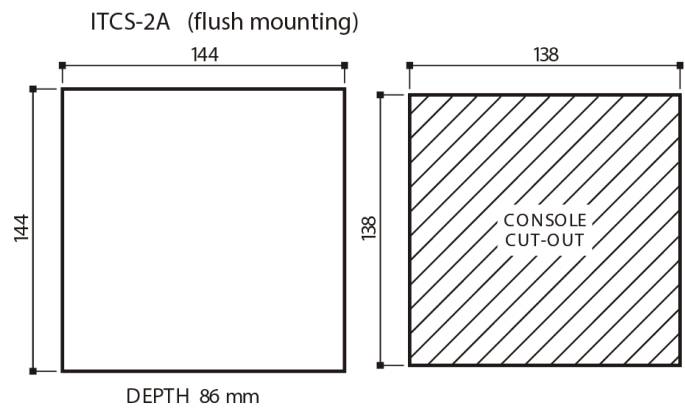
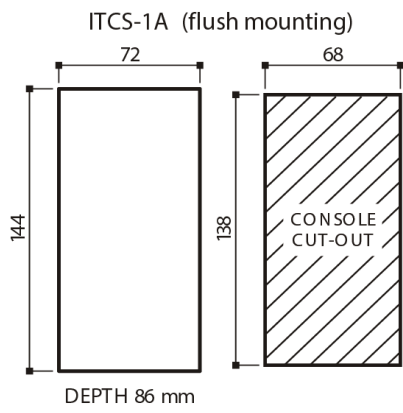
---

## Description

- ✓ Call is indicated by buzzer and red "ALARM" LE diode
- ✓ Both audio and visual alarm are present until call is accepted and completely reset
- ✓ Bulkhead mounting (flush on request)

Signaling unit for indication of call used in ITCS-A calling system.

## Technical Dimensions



All dimensions in mm

# Specifications

## MECHANICAL

Dimensions (WxHxD) 80x125x58 mm

Weight 0.24 kg

## Used With



ITCS-1A-24VDC

Single Call Control Unit, 24 VDC



ITCS-2A-24VDC

Double Call Control Unit, 24 VDC



ITCS-1A-230VAC

Single Call Control Unit, 230 VAC



ITCS-2A-230VAC

Double Call Control Unit, 230 VAC