

1023533012

PAM1H

Handheld Microphone for ECPIR Indoor Access Panels / Intercom Stations



- ✓ Handheld microphone for ECPIR access panels or intercom stations
- ✓ Bracket included
- ✓ Push-To-Talk button
- ✓ 1.5 m durable spiral cable
- ✓ Equipped with locking DIN plug
- ✓ Electret microphone capsule
- ✓ Unidirectional noise cancelling
- ✓ Rugged brass housing
- ✓ Very long life switching contacts



Onboard communication



ICX-AlphaCom



Exigo

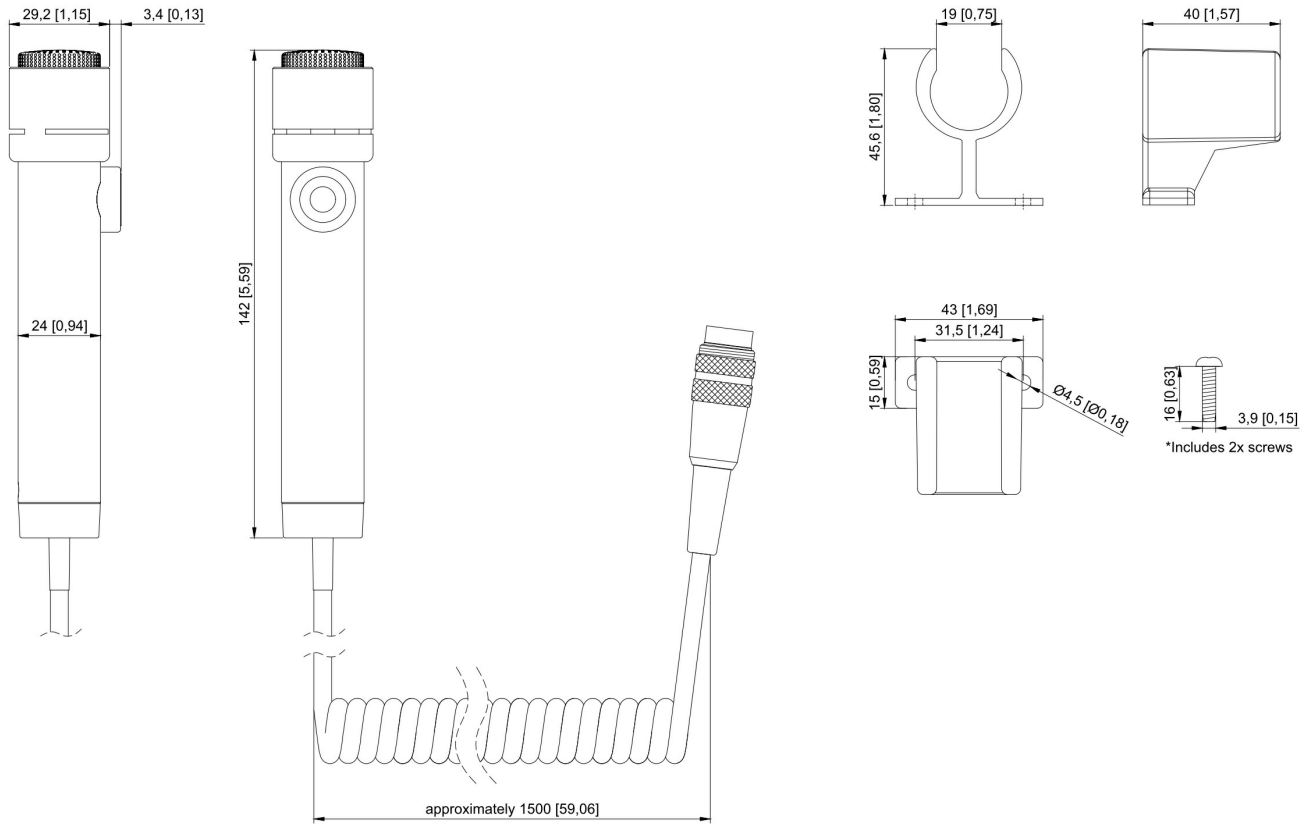
Description

The PAM1H handheld microphone is designed for indoor use, even in noisy areas with unidirectional noise cancelling. The microphone is used on all ECPIR access panels or intercom stations and features a PTT button. When connected to an access panel or intercom station, the microphone is fully monitored. Failure of the microphone element or an open/short circuit will be detected and reported by the system.

For correct operation and performance speaking distance approximate 2cm.

Technical Dimensions

Microphone clip holder:



Specifications

ITEM NUMBER	DESCRIPTION
1023533012	PAM1H Handheld PA microphone, 1 button, indoor, w/bracket
Manufacturer	Peitel
Type	ME110/TF/C6034

MECHANICAL

Dimensions	Length 142 mm, Head Ø 29 mm, Body Ø 24 mm
Weight	0.19 kg
Cable	4-wire halogen free spiral cable, 2 Wires shielded, Draw length max. 1.5 m, without connector
Material	Brass
Bracket	Included

ELECTRICAL

Microphone	Electret and Noise Cancelling
Frequency range	100 Hz to 8 kHz at -10 dB
Sensitivity	24 mV/Pa (-32 dBV/Pa ± 3 dB) at 3 V/2.2 kΩ
Impedance	1.9 kΩ ± 20 % at 1 kHz/RL = 2.2 kΩ
Directivity	Cardioid (at 1 kHz; 180° -15 dB)
Operating voltage	1.5 V to 10 V (DC)

ENVIRONMENTAL

Operating Temperature	-25 °C to +60 °C
Storage Temperature	-30 °C to +70 °C
Humidity	10% to 95% (non-condensing)

COMPATIBLE EQUIPMENT

Exigo Indoor panels	ECPIR access panels
---------------------	---------------------

Used With



ECPIR-3P

Exigo Access Panel / Turbine Intercom



ECPIR-P

Exigo Call Panel, PTT Button