

4000200800

## P-7223

Console VoIP Telephone

This telephone was put to EOL (End of Life) on 20th January 2022.

The phone can be replaced by Zenitel's Turbine-series IP Stations.

Note that there might be some limitations in functionality when using the Turbine stations with the ICS6200 server.



---

## Description

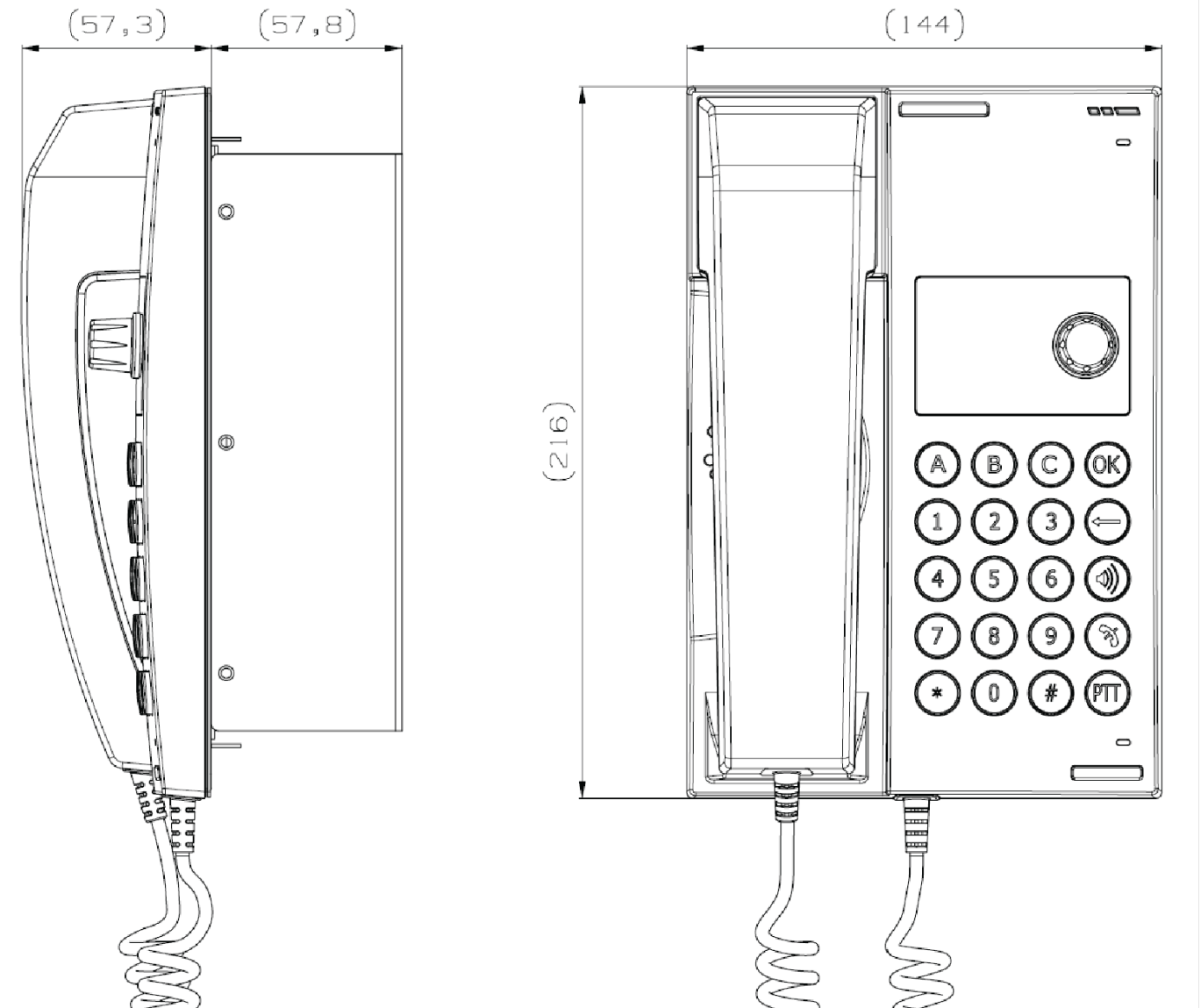
This item is end of life from 20th of January 2022. Remaining items in stock are reserved for Spare Parts.

- ✓ Integrated loudspeaker/microphone
- ✓ Handset, 2 meter sturdy curled cord
- ✓ Hands-free, duplex communication
- ✓ 2" Graphic backlit display:
- ✓ Menus and navigation wheel/key
- ✓ Contact list
- ✓ Caller ID
- ✓ Dimmable backlight (keypad)
- ✓ Privacy switch (Do not disturb) with priority override
- ✓ Manual PTT (push-to-talk) key
- ✓ 3 pcs programmable direct access keys (A-B-C)
- ✓ Volume adjustment with override
- ✓ Speakerphone SPL level >85dB(A) (integrated loudspeaker)
- ✓ Console mounted
- ✓ MMI according to IEC 62288 Ed 2.0
- ✓ Status/health indicator
- ✓ Multiple ring melodies
- ✓ Integrated call relay for external signal device
- ✓ Output to external loudspeaker, 8 W, SPL level > 110dB (loudspeaker dependent)
- ✓ Headset connection
- ✓ 2-port 100Mbit Eth switch for data connectivity

- ✔ Complies with IEC 60945 Standard for Marine Equipment
- ✔ DNV/ABS/RMRS/CCS type approval and compatible with NORSOK

The P-7223 Telephone is intended for console installations in protected environments. This is a VoIP station with handset, loudspeaker, internal microphone, memory functions, etc. It is equipped with an amplifier for additional external loudspeaker and relay for external call signal devices (beacon, siren and others).

## Technical Dimensions



# Specifications

## MECHANICAL

Dimensions (WxHxD)	144x216x57.3 mm (above console). Depth below: 57.8 mm
Weight	1.5 kg (inclusive console bracket)
Material	Plastic (PC/ASA). Console bracket: Aluzinc coated steel.
Color	Grey – RAL 7021/7043
Mounting	Console
Fixing	6 x M3 bolts (console bracket)
Access	Front
Cable Entry	Side / Bottom
Connector Type	RJ45

## ELECTRICAL

Power Supply	PoE / 24VDC (Optional external power). Additional 24V/1.5A input for call relay and amplifier for external loudspeaker
Line Format	VoIP, PoE
Power Consumption	10W (max – external loudspeaker)
Termination	RJ45 / External loudspeaker/external signal device, etc.: clamp terminals
Compass Safe Distance	>5 m
Heat dissipation (typical/max)	< 2W (max)
External loudspeaker	8W / 20Ω
External signal device, Call relay	6.3A (max)

## ENVIRONMENTAL

Temperature	-15°C to +55°C
Humidity	+93% (at +40°C)
Ingress Protection Rating	IP-22 (protected, above console)
UL94	V0