

4000013288

HP-30T

Horn Speaker 30W, Waterproof

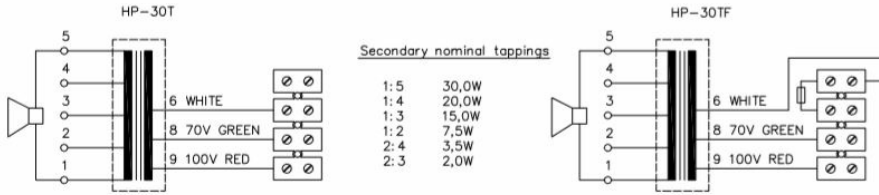
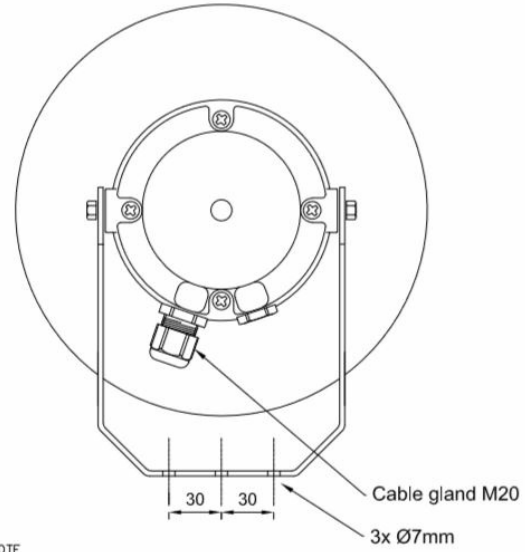
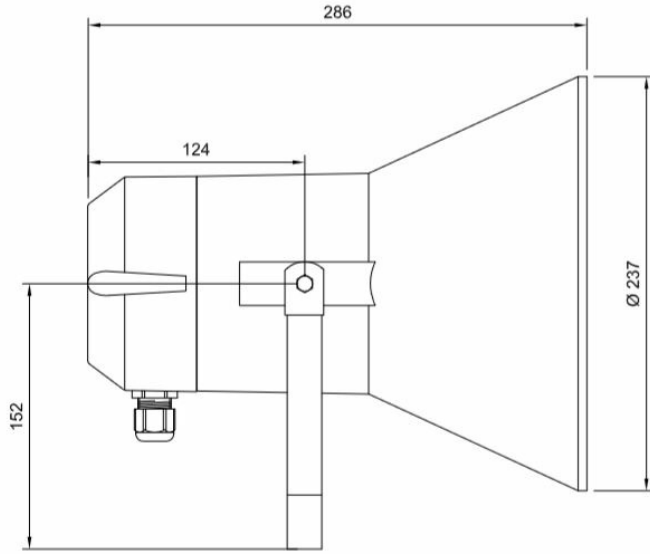


Description

- ✓ Wall loudspeaker w/ transformer for accommodation use.
- ✓ Excellent for P.A. intercom and background music
- ✓ With transformer for 100V amplifier line

When mounting the loudspeaker please ensure that it is re-assembled in the same manner in which it was assembled. Fasten bracket with 1-3 screws. To change the position of the loudspeaker please adjust the bracket (by loosening / tightening the screws) as required. For optimum performance, always use the correct voltage / power and operate within the frequency limits as stated. Do not open loudspeaker when in use. Fasten lid with a torque of 2 - 3 Nm.

Technical Dimensions



Specifications

GENERAL

Dimensions (mm)	237Ø x 298D
Weight	2.3 kg
Mounting	Bracket
Material/Color	Polyamide / RAL 7035
Temperature range	Max. / min. amb. temp 90°C / -40°C
Max. / min. ambient temperature	150 °C / -50 °C
IP-Rating	IP-67
Connections	Internal screw connections
Rated/ max. power	30W / 40W
SPL 1W/1m	110dB
SPL rated power	124dB
Effective freq.range	310 – 8000 Hz
Dispersion	(-6dB)1kHz / 4kHz 115° / 30°
Environmental Condition	Exposed