

3006100084

## SAFE-10PTF

Loudspeaker Bathroom

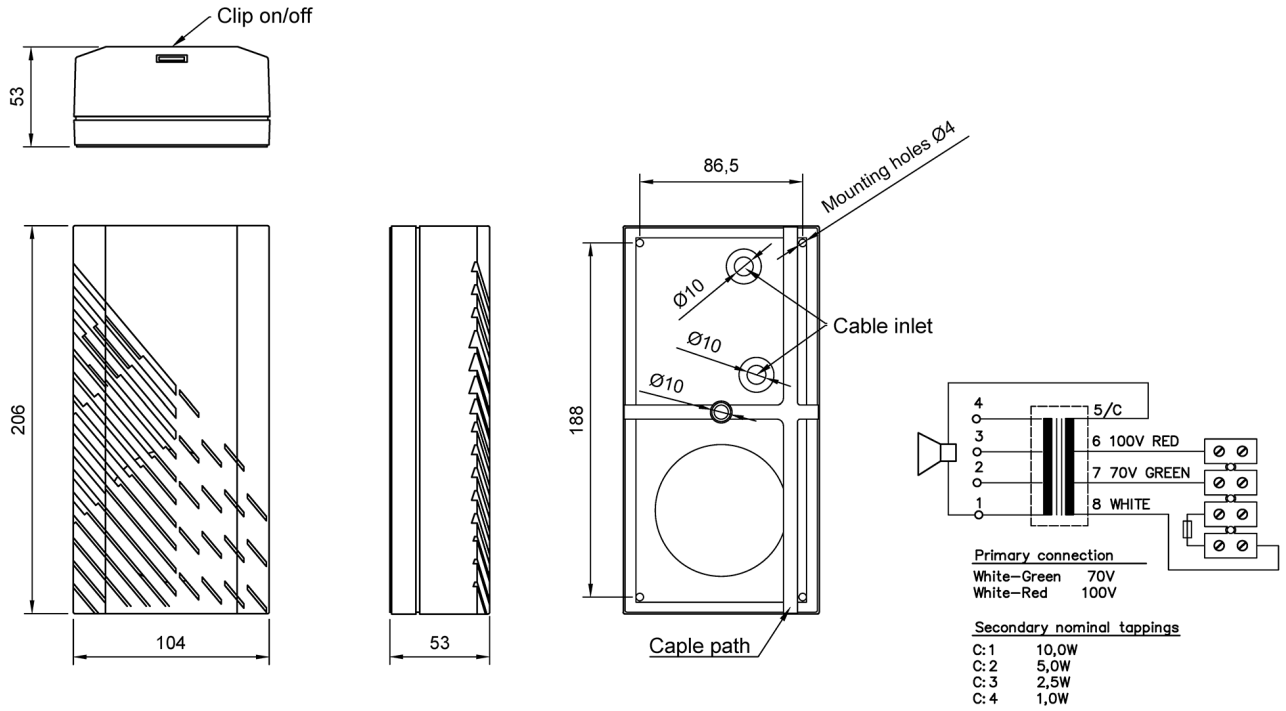


### Description

- ✓ Loudspeaker w/fuse for accommodation area
- ✓ With 70 / 100V line transformer
- ✓ Wall mounting
- ✓ Waterproof
- ✓ ABS plastic

When mounting the loudspeaker please ensure that it is re-assembled in the same manner in which it was received. To open the cabinet, press the clip on the short end of the cabinet, and lift the cabinet from the mounting plate. Fasten the mounting plate to wall or ceiling by 4 screws, and clip on the front cover. For optimum performance, always use the correct voltage / power and operate within the frequency limits as stated. The loudspeaker is equipped with four alternative cable entry ports. Do not open loudspeaker when energized.

# Technical Dimensions



# Specifications

## GENERAL

Dimensions (mm)	206W x 104H x 55D
Weight	0.8 kg
Mounting	4 screws
Material/ Color	ABS / RAL 9010
IP- rating	IP-44
Temperature range	Max. / min. amb. temp 90°C / -40°C
Max. / min. ambient temperature	90°C / -40°C
Cable entry	1x PG-7 / 2x cable inlet 11mm with rubber gasket
Connections	Inside screw terminal
Rated / max. power	10 W / 15 W
SPL 1W/1m	85dB
SPL rated power	95dB
Effective freq.range	160 - 20000Hz
Dispersion	(-6dB)1kHz / 4kHz 140° / 100°
Secondary nominal tappings	10,0W - 5,0W - 2,5W - 1,0W
Environmental Condition	Protected