



4000016947

P-9135

Engine Control Room Telephone

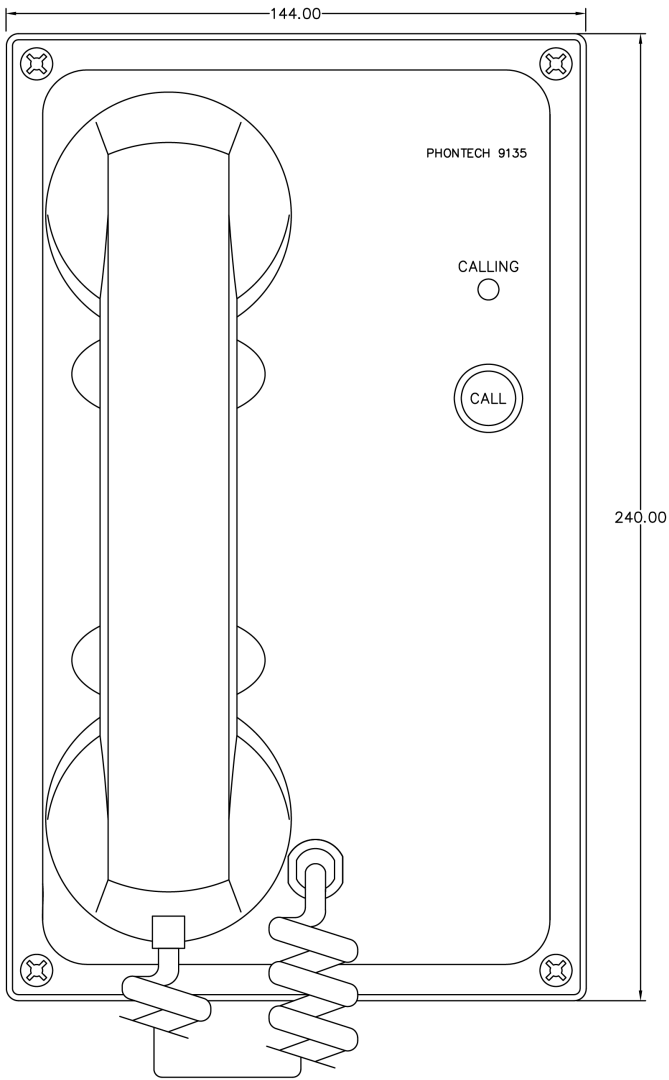
Description

- ✓ Handset
- ✓ Console mounted

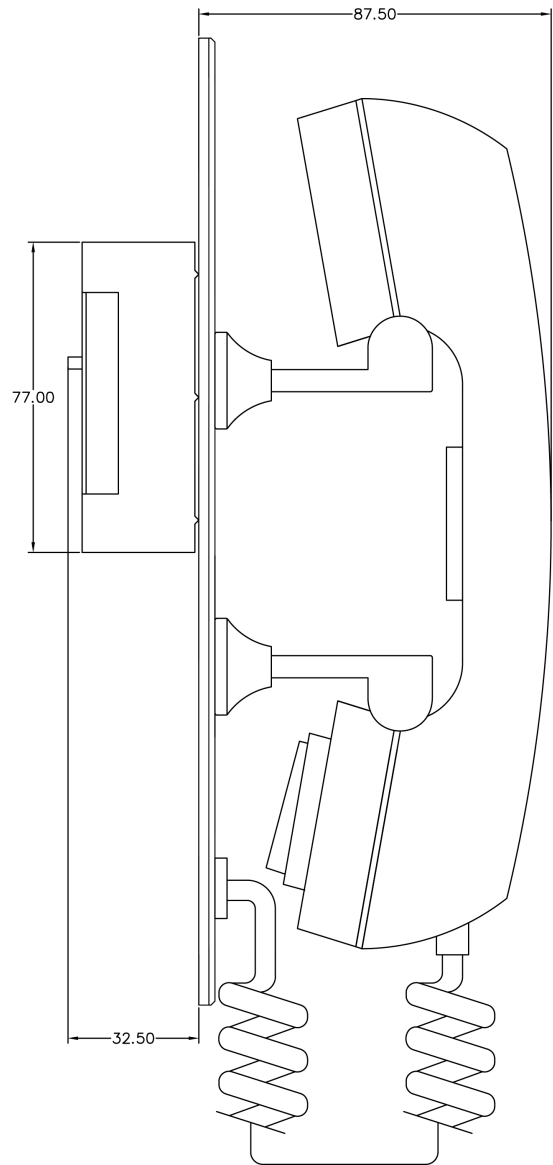
The P-9135 is an Engine Control Room Telephone connected to the Command Intercom system CIS 3000.

Technical Dimensions

FRONT VIEW



SIDE VIEW



Specifications

MECHANICAL

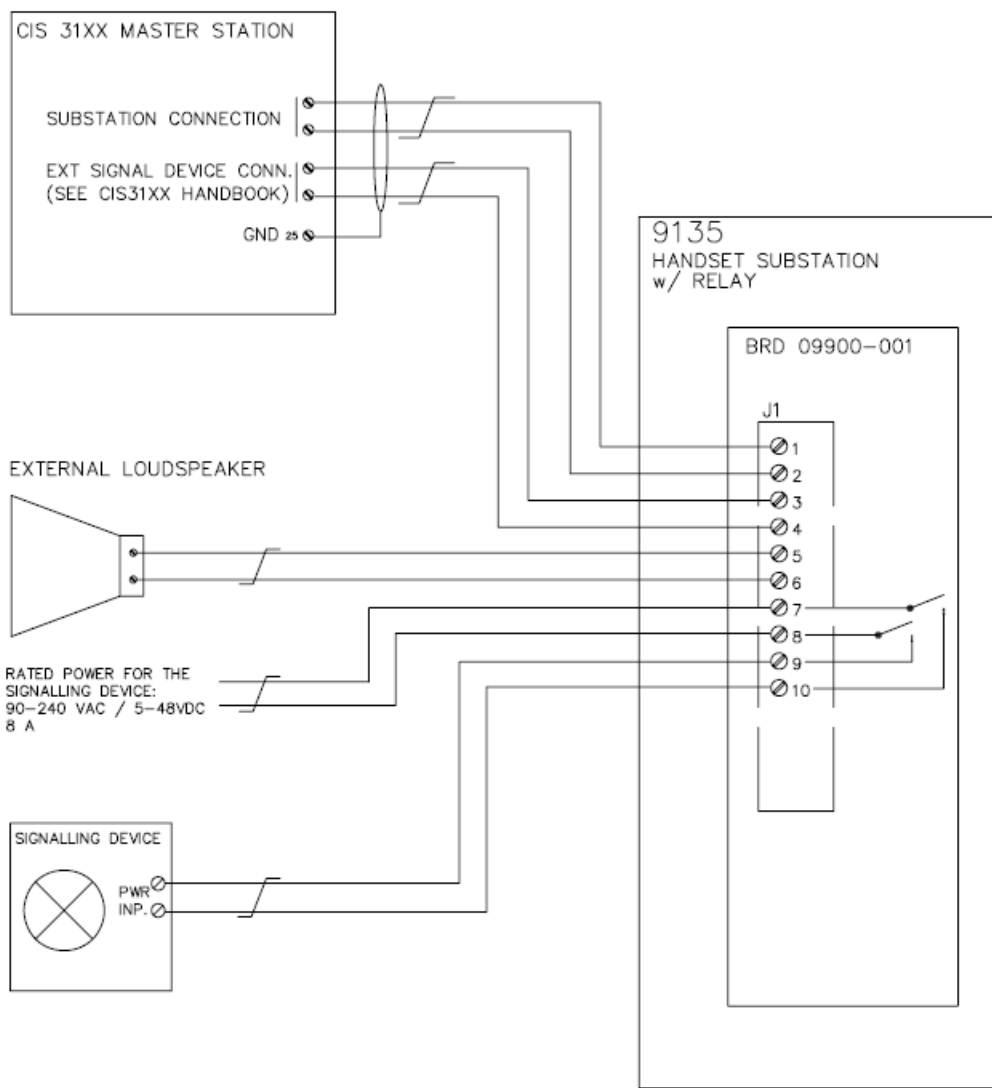
Dimensions (WxHxD)	144x240x33 mm
Weight	0.8 kg
Mounting	Console

ELECTRICAL

Power Supply	(24 VDC) From central/line supply
Switchin current	8A
Termination	Screw terminals ≤ 1.5 mm ²
Compass Safe Distance	>5m

ENVIRONMENTAL

Temperature	-15°C to +55°C (Storage: -25°C to +70°C)
Humidity	+93% (at +40°C)
Ingress Protection Rating	IP 44



Accessories



Wall Box for P-9135

Wallbox for CIS Talkback
System

Item Number: 4000315213