

4000010756

HP-10

Horn Loudspeaker



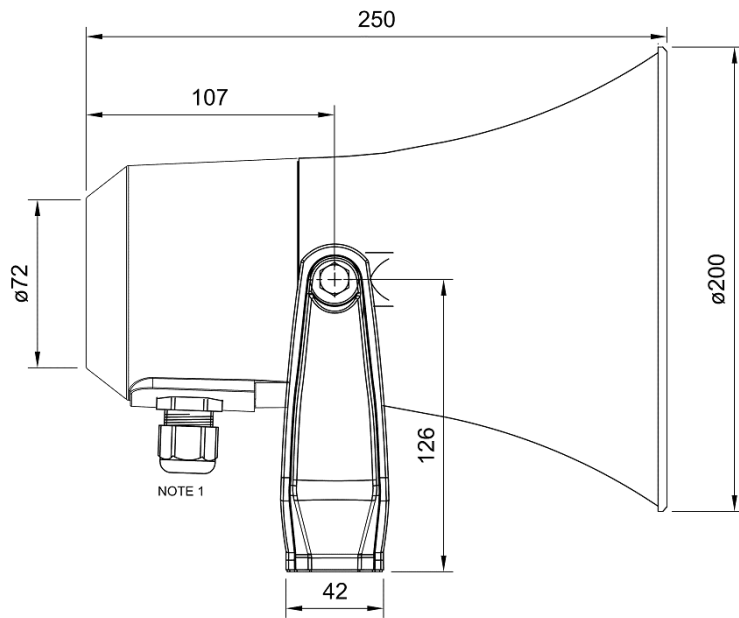
- ✓ 10W
- ✓ 20 Ohm

Description

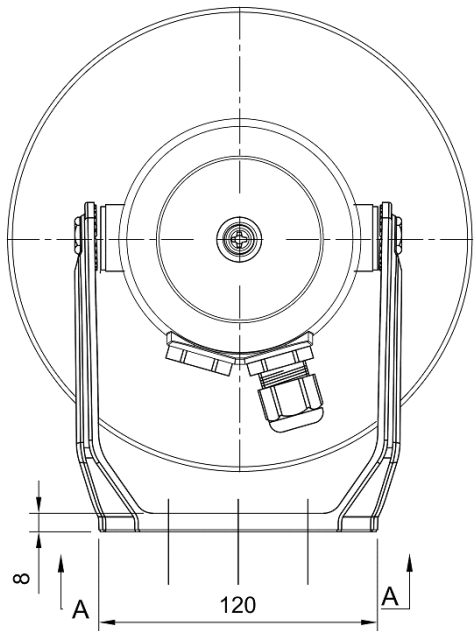
- ✓ 10W plastic loudspeaker.
- ✓ 20 ohm
- ✓ Small and Light.
- ✓ Suitable for outdoor installations, made of Ronfalin C110 - (PC+ABS). Plastic or stainless steel bracket.
- ✓ M-20 glands.

Technical Dimensions

FRONT VIEW



LEFT VIEW



NOTES:

- 1- M20 cable gland and M20 blanking plug.
Cable diameter 10-15mm
- 2- All outside nuts, bolts and washers in stainless steel

DETAIL VIEW A-A

