

3006100032

**CW-4T**

Wall Loudspeaker 6W



---

---

## Description

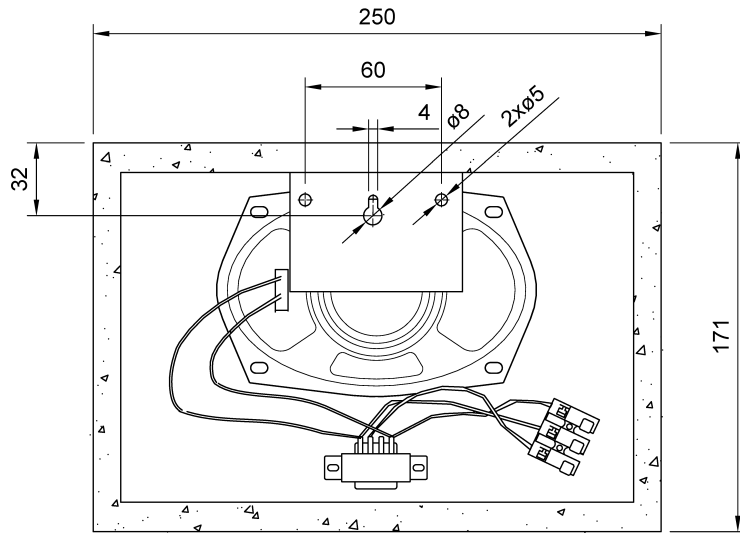
- ✓ Wall loudspeaker w/ transformer for accommodation area
- ✓ Excellent for P.A. intercom and background music
- ✓ With 100V line transformer

Screw the bracket on the wall, and fasten the cabinet to the bracket with one screw.

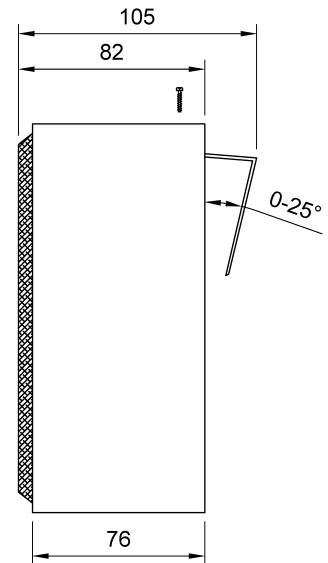
For optimum performance, always use the correct voltage / power and operate within the frequency limits as stated.

## Technical Dimensions

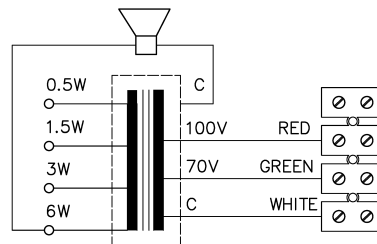
REAR VIEW



RIGHT VIEW



CIRCUIT DIAGRAM



Secondary nominal tapings

|        |      |
|--------|------|
| C: 6   | 6,0W |
| C: 3   | 3,0W |
| C: 1,5 | 1,5W |
| C: 0,5 | 0,5W |

# Specifications

## GENERAL

|                                 |                                       |
|---------------------------------|---------------------------------------|
| Dimensions (mm)                 | 250W x 170H x 88D                     |
| Weight                          | 1.2 kg                                |
| Mounting                        | Screws, keyhole                       |
| Material/ Color                 | Particle board / White or walnut      |
| Temperature range               | Max. / min. amb. temp<br>90°C / -40°C |
| Max. / min. ambient temperature | 90°C / -40°C                          |
| Connections                     | Spring clamp                          |
| Rated / max. power              | 6W / 8 W                              |
| SPL 1W/1m                       | 90dB                                  |
| SPL rated power                 | 97dB                                  |
| Effective freq. range           | 140 - 20000Hz                         |
| Dispersion                      | (-6dB)1kHz / 4kHz 140°<br>/ 80°       |
| Environmental Condition         | Protected                             |