



1020600753

VMP-36-PELP-Y

Headset with boom mic, headband, and 10m cable for CD-7-VMP

Replacement item: [1020600768](#)

- Portable headset for connection to plugbox CD-7-VMP
- ✓ ▪ Switchbox w/ M-button and belt clip
- ✓ ▪ Excellent noise performance
- ✓ ▪ High attenuating ear shells
- ✓ ▪ Watertight microphone (IP68)
- ✓ ▪ Bright yellow colour for enhanced visibility
- ✓ ▪ Standard with 10 meter cable
- ✓



IP54



Onboard communication

Description

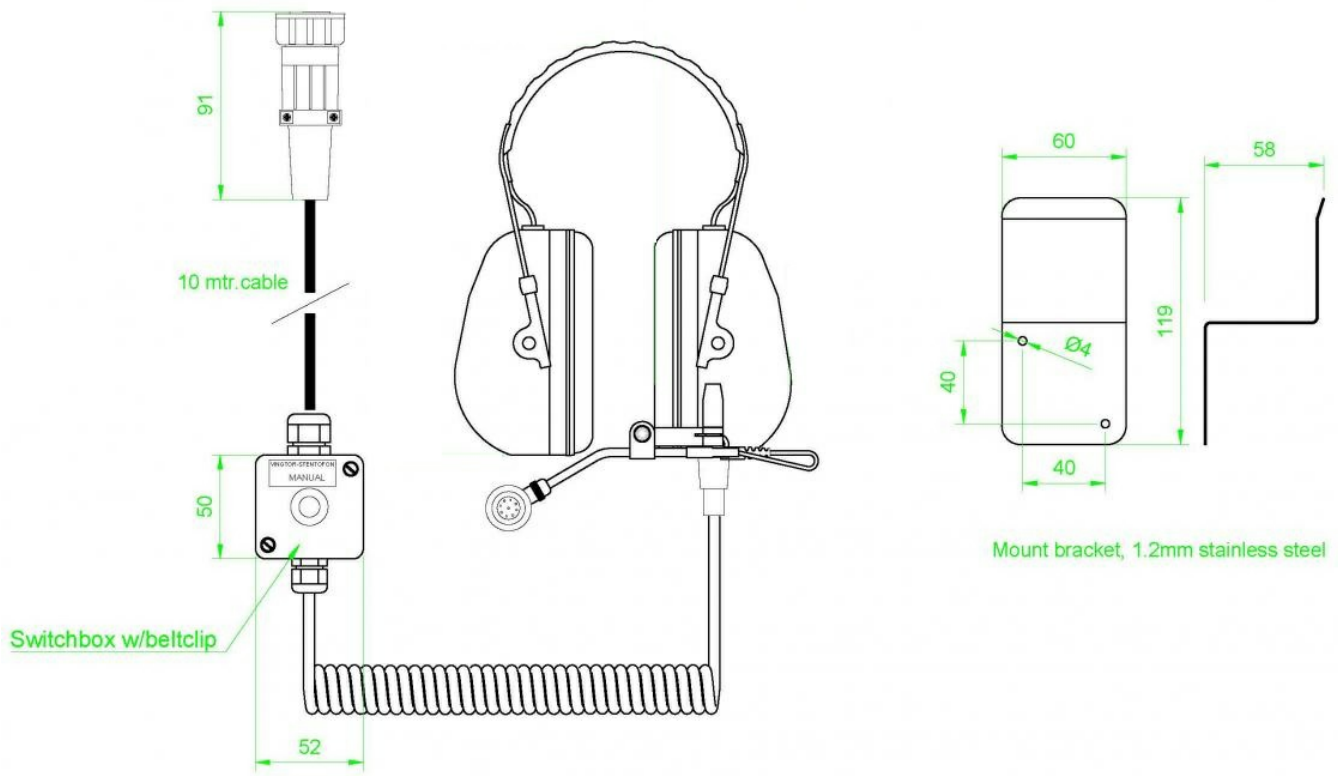
The VMP-36-PELP-Y headset brings hearing protection and communication in noisy environments into a new level of performance with newly designed speakers and microphone.

The newly designed dual mold cup give a modern and slim look together with bright yellow colour for enhanced visibility.

Applications

The VMP-36-PELP-Y headset can enhance communication in noisy environments and other workplaces, where the workers need to be connected directly to a VMP Station with cable.

Technical Dimensions



Specifications

GENERAL

Termination	7 pin plug
Microphone	Noise cancelling microphone, Dynamic 150 Ohm, IP 68 (6m/30min) Sensitivity - 71dB±3dB (0dB=1v/Pa 1KHz) @50CM Frequency response 200Hz ~ 7KHz
Earphone/Speakers	46mm diameter, 230 Ohm +/- 10%, SPL 107 +/- 2dB, 100- 8000 Hz, IP54
Temperature	-20°C to +55°C
Storage Humidity	< 90%
Protection	IP-54
Attenuation rating (HML)	H=32dB / M=29dB / L=20dB
Attenuation rating (SNR)	31 dB
Dimension (HxD)	Approximately 200x130 mm
Weight	0.292 kg
Colour	Yellow and Black
Manufacturer	Zenitel (3MTM Peltor MT74H52A-110)
Cable	10m

Used With



Light Industrial Master Station



Industrial Master Station

Heavy Duty