

3006100028

CP-66T

Loudspeaker Wall-Mount Double Faces 6W



- ✓ Double faced loudspeaker w/ transformer for accommodation area
- ✓ Ideal for PA intercom and background music
- ✓ To be used together with 70/100V line amplifier
- ✓ 6W rated power

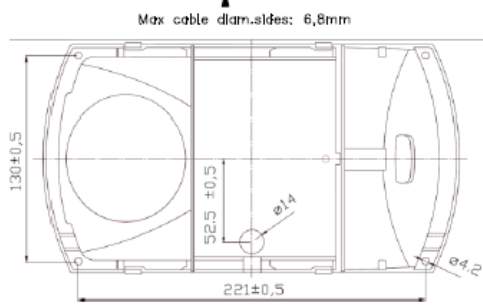
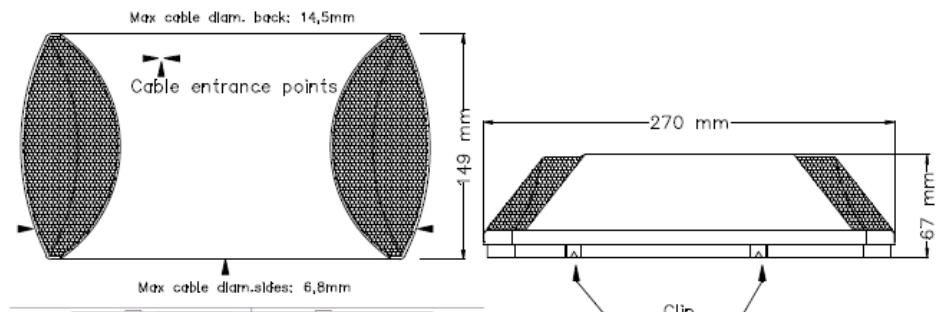


Onboard communication

Description

The CP-66T is a general purpose loudspeaker to be used on 70/100 V lines. The loudspeaker is bi-directional and disperses audio in both directions. This feature makes this speaker very well-suited for corridors and other applications where audio has to be evenly distributed.

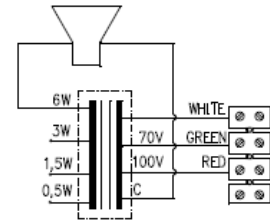
Technical Dimensions



Remove the lid by pressing the two clips on each side of the loudspeaker.



CIRCUIT DIAGRAM



70/100 volt combined transformer	
Primary connections	
White : Green	70 V
White : Red	100 V
Secondary nominal tapings	
C : 6,0 W	6,0 W
C : 3,0 W	3,0 W
C : 1,5 W	1,5 W
C : 0,5 W	0,5 W

Specifications

GENERAL

Material / Color	ABS / RAL 9010
Dimensions (LxDxH)	270mm x 67mm x 149mm
Mounting	Direct. Four screws.
Termination	Internal screw terminals
Weight	0.77 kg
Rated / Max power	6 W / 10 W
SPL 1W / 1 m	86 dB
SPL rated power	94 dB
Effective frequency range	140 - 20000 Hz
Dispersion (-6dB) 1kHz / 4kHz	250° / 195° (horizontal)
Environmental Condition	Protected
IP Rating	IP 20