

4000016479

HP-30

Horn Loudspeaker 30W, 20 ohm



- ✓ General purpose 30W horn loudspeaker low ohmic
- ✓ Especially suitable for use in industrial sites or harsh environments



Onboard communication

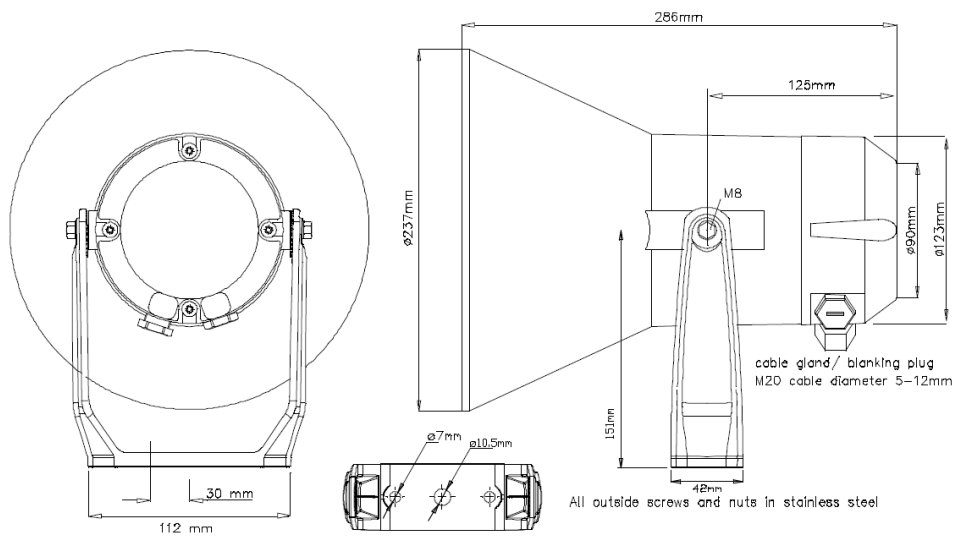


IP67

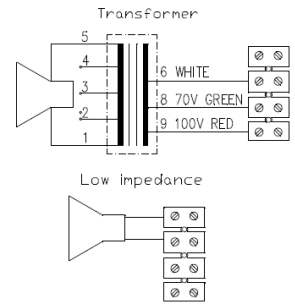
Description

When mounting the loudspeaker please ensure that it is re-assembled in the same manner in which it was assembled. Fasten bracket with 1-3 screws. To change the position of the loudspeaker please adjust the bracket (by loosening / tightening the screws) as required. For optimum performance, always use the correct voltage / power and operate within the frequency limits as stated. Do not open loudspeaker when in use. Fasten lid with a torque of 2 - 3 Nm.

Technical Dimensions



CIRCUIT DIAGRAM



70/100 volt combined transformer	
Primary connections	
White : Green	70 V
White : Red	100 V
Secondary nominal tapings	
1 : 5	30 W
1 : 4	20 W
1 : 3	15 W
1 : 2	7,5 W
2 : 4	3,5 W
2 : 3	2,0 W

Specifications

GENERAL

Material / Color	Polyamide / RAL 7035
Dimensions	Ø237 x 286D mm
Mounting	Bracket
Termination	Internal screw terminals
Weight	2.2 kg
Rated / Max power	30 W / 40 W
SPL 1W / 1 m	110 dB
SPL rated power	124 dB
Effective frequency range	310 - 8000 Hz
Dispersion (-6dB) 1kHz / 4kHz	110° / 32°
IP-rating	67
Max. / min. ambient temperature	110°C / -50°C
Environmental Condition	Exposed