

2310111162

NVX210W00A Camera

NVX IP Full HD low-light, PoE+, CCTV camera



- ✓ Made of electro-polished stainless steel AISI 316L
- ✓ Quick connectors
- ✓ Camera Full HD 1080p, 30x, 60fps
- ✓ Minimum Illumination:
 - ✓ Colour: 0.006lx
 - ✓ B/W: 0.0006lx
- ✓ Video compression H.264/AVC, MJPEG, JPEG and MPEG4
- ✓ Complies with ONVIF, Profile Q, Profile S and Profile T
- ✓ Digitally signed firmware
- ✓ Complies with ONVIF Security Service specifications
- ✓ Day/Night (Auto ICR: automatic removal of IR filter)
- ✓ De-fog function
- ✓ Up to 3 simultaneous video streams in FULL HD
- ✓ Version with integrated wiper
- ✓ 1 input for remote reset and 2 relay outputs (version with wiper)
- ✓ Power supply: 24Vdc/24Vac, PoE+
- ✓ Tested and certified: from -40°C (-40°F) up to +65°C (149°F)
- ✓ Built-in modular support

ONVIF ONVIF Conformant



Onboard communication



IP66



IP67



H.264

Description

NVX is an IP FULL HD super low-light CCTV camera with high corrosion resistance. This camera incorporates the DELUX imaging and encoding technology for recording incredibly clear colour video day or night. In particular, thanks to the camera's increased light sensitivity, the DELUX technology can obtain bright images with well-defined colours in very low light conditions – even typical night-time conditions to 0.006 lux (0.0006 lux in black and white).

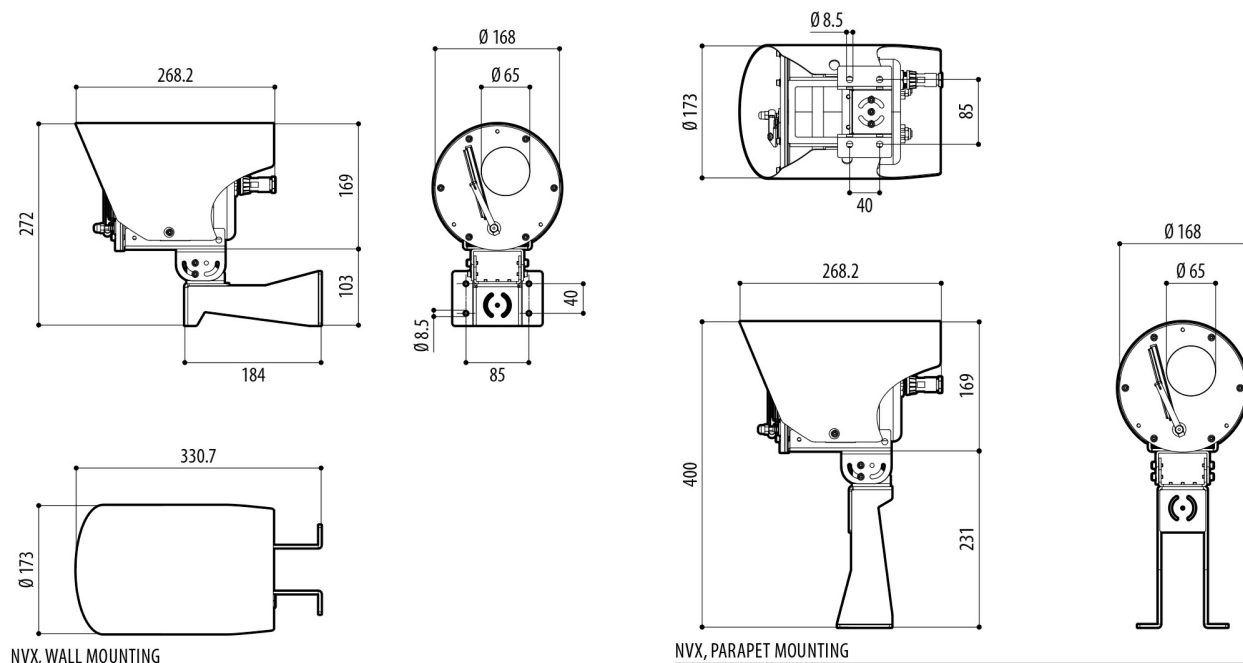
Videotec's NVX CCTV camera is super low-light Day/Night Full HD 1080p, with 30x optical zoom and 60 fps shooting speed. Images can be transmitted via network with H.264/AVC, MPEG4, MJPEG or JPEG compression, and it's possible to have up to 3 simultaneous and independent Full HD video streams. The NVX external housing is made entirely from AISI 316L stainless steel and has a compact and lightweight design that, along with the quick connectors, helps installation and maintenance.

The modular support for wall, ceiling or parapet mounting is a standard feature and the camera includes integrated screen wiper. NVX has exceptional corrosion resistance, a wide operational temperature range and IP66/IP67/IP68/IP69 protection. These features mean it is well suited for marine and energy CCTV solutions.

Technical Dimensions

TECHNICAL DRAWINGS

The indicated measurements are expressed in millimetres.



Specifications

General

DESCRIPTION

Mechanical	AISI 316L stainless steel construction
Supply voltage/Current consumption	24Vac, 1.32A, 50/60Hz // 24Vdc, 0.9A // PoE+ (IEEE 802.3at)
Power consumption	21W
Ethernet connection	RJ45 // 100 Base-TX
Communication protocol	ONVIF, Profile Q, Profile S and Profile T
Device configuration	TCP/IPv4-IPv6, UDP/IPv4-IPv6, HTTP, HTTPS, NTP, DHCP, WSDISCOVERY, DSCP, IGMP (Multicast), SOAP, DNS
Video compression	H.264/AVC, MJPEG, JPEG, MPEG4
Video streams	3 independent video streams Full HD
Image resolution	from 320x180pixel up to 1920x1080pixel in 6 steps
Selectable frame rate	from 1 to 60 images per second (fps)
I/O alarm board	Input for remote reset: 1 // Relay outputs: 1+1 (1 relay reserved for washer pump and one configurable, 1A, 30Vac/60Vdc max)
Resolution	Full HD 1080p (1920x1080pixel)
Image Device	1/2.8" Exmor™ R CMOS sensor
Effective Pixels	approx. 2.38 Megapixels
Minimum Illumination	Colour: 0.006lx (F1.6, 30 IRE) // B/W: 0.0006lx (F1.6, 30 IRE)
Focal length	from 4.5mm (wide) up to 135mm (tele)
-	30x (480x with digital)

Zoom	zoom)
Iris	from F1.6 up to F9.6 (Auto, Manual)
Horizontal Viewing Angle	from 61.6° (wide end) up to 2.50° (tele end)
Vertical Viewing Angle	from 37.07° (wide end) up to 1.44° (tele end)
Shutter speed	from 1/1s up to 1/10000s (Auto, Manual)
Gain	from 0dB up to 36dB (Auto, Manual)
Wide Dynamic Range	120dB
Operating temperature	24Vac or 24Vdc power supply: from -40°C (-40°F) up to +65°C (149°F) // PoE+ power supply: from -40°C (-40°F) up to +60°C (140°F)
Relative humidity	from 5% up to 95%
Weight	4.9kg (10.8lb) (fastening support included) // 4kg (8.8lb) (fastening support not included)
ENVIRONMENT	Indoor / Outdoor
CERTIFICATIONS - MARINE APPLICATIONS	Lloyd's Register Marine Type Approval • Test Specification Number 1 (ENV1, ENV2, ENV3, ENV5)
	Electromagnetic compatibility: EN60945
	Salty fog resistance: EN60068-2-52
	Tested at 70°C (158°F) for 16 hours in compliance with EN60068-2-2

Accessories

DISCONTINUED



FM1010 EMC Filter

EMC filter for Marine certification



DISCONTINUED

WASEX2T4AT EX

WASEX WASHER PUMP WITH EX-PROOF SOLENOID VALVE