

2310131022

MVX-HD210-WAZ00B Explosion-proof camera

Maximus MVX Delux Explosion-proof FULL HD CCTV camera



- ✓ Certifications for use in
 - ✓ Zones 1 and 2, IIC T5 and T6 Group (Gas)
 - ✓ and in Zones 21 and 22, IIIC T100°C and T85°C Group (Dust)
- ✓ Marine Certification: Lloyd's Register Marine Type Approval
- ✓ AISI 316L stainless steel construction
- ✓ External shot peened and electro-polished surfaces
- ✓ Camera Full HD 1080p, 30x, 60fps
- ✓ Minimum Illumination:
 - ✓ Colour: 0.006lx
 - ✓ B/W: 0.0006lx
- ✓ Optional 4m/10m armoured multipolar cable w/cable gland

ONVIF ONVIF Conformant



Onboard communication



IP66



IP67



Atex



H.264

Description

MAXIMUS MVX DELUX is an explosion-proof FULL HD camera which integrates new imaging and encoding technology for video surveillance, allowing recordings to be produced with incredibly bright and vivid colours both by day and by night. In particular, thanks to the camera's increased light sensitivity, the DELUX technology can obtain bright images with well-defined colours in very low light conditions – even typical night-time conditions to 0.006 lux (0.0006 lux in black and white).

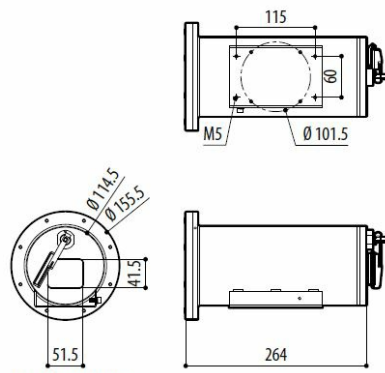
MAXIMUS MVX DELUX is a Day/Night Full HD 1080p camera with 30x optical zoom and a frame rate of 60fps. It is capable of precisely identifying the details in a scene, even in dynamic, rapidly changing situations. The housing is compact yet functional and is made entirely out of AISI 316L stainless steel. Its resistance to corrosion is not only guaranteed, but is also enhanced by way of polishing processes.

An equally noteworthy point is that the IP66/IP67/IP68 ratings guarantee the complete protection against harsh weather and submersion in up to 5 metres of water for 2 hours. Moreover, the IP69 rating allows the device to be cleaned with high pressure water jets. Another important feature of the explosion-proof camera is the extended certification temperature range of -60°C to 65°C, along with a sophisticated cold start system, which allows it to operate in harsh environments as standard.

The MAXIMUS MVX series products are Lloyd's Register Type Approval System Test Specification Number 1 certified and therefore can be used in Marine and Offshore applications for environmental categories ENV1, ENV2, ENV3 and ENV5 (eg. passenger ships, open-air decks, closed spaces and technical areas that may be subject to heat generated by other equipment, potentially explosive areas, docking procedures).

Technical Dimensions

The indicated measurements are expressed in millimetres.



MAXIMUS MVXHD

Specifications

General

DESCRIPTION

Mechanical	AISI 316L stainless steel construction
Supply voltage/Current consumption	a. 24Vac ±10%, 2.2A, 50/60Hz // b. 24Vdc ±5%, 2.2A // c. 12Vdc ±5%, 3.5A
Power consumption	21W
Ethernet connection	RJ45 // 100 Base-TX
Communication protocol	ONVIF, Profile Q, Profile S and Profile T
Device configuration	TCP/IPv4-IPv6, UDP/IPv4-IPv6, HTTP, HTTPS, NTP, DHCP, WS-DISCOVERY, DSCP, IGMP (Multicast), SOAP, DNS
Video compression	H.264/AVC, MJPEG, JPEG, MPEG4
Video streams	3 independent video streams Full HD
Image resolution	from 320x180pixel up to 1920x1080pixel in 6 steps
Selectable frame rate	from 1 to 60 images per second (fps)
I/O alarm board	Input for remote reset: 1 // Relay outputs: 1+1 (1 relay reserved for washer pump and one configurable, 1A, 30Vac/60Vdc max)
Resolution	Full HD 1080p (1920x1080pixel)
Image Device	1/2.8" Exmor™ R CMOS sensor
Effective Pixels	approx. 2.38 Megapixels
Minimum Illumination	Colour: 0.006lx (F1.6, 30 IRE) // B/W: 0.0006lx (F1.6, 30 IRE)
Focal length	from 4.5mm (wide) up to 135mm (tele)
Zoom	30x (480x with digital zoom)
Iris	from F1.6 up to F9.6 (Auto, Manual)
Horizontal Viewing Angle	from 61.6° (wide end) up to 2.50° (tele end)
Vertical Viewing Angle	from 37.07° (wide end) up to 1.44° (tele end)
Shutter speed	from 1/1s up to 1/10000s (Auto, Manual)
Gain	from 0dB up to 36dB (Auto, Manual)
Wide Dynamic Range	120dB
Operating temperature	a. Cold start from -40°C (-40°F) up to +65°C (149°F) // b. Running from -50°C (-58°F) up to +65°C (149°F)
Relative humidity	from 5% up to 95%
...	a. 8.5kg (18.7lb) (housing with 4m (13ft) multi-polar cable shield) // b.

Weight	12kg (26.5lb) (housing with 10m multi-polar cable shield)
ENVIRONMENT	Indoor / Outdoor
CERTIFICATIONS - MARINE APPLICATIONS	Lloyd's Register Marine Type Approval • Test Specification Number 1 (ENV1, ENV2, ENV3, ENV5)
	Electromagnetic compatibility: EN60945
	Salty fog resistance: EN60068-2-52
	Tested at 70°C (158°F) for 16 hours in compliance with EN60068-2-2
	ATEX (EN 60079-0+A11, EN 60079-1, EN 60079-31)
	IECEX (IEC 60079-0, IEC 60079-1, IEC 60079-31)
	INMETRO (ABNT NBR IEC 60079-0 + Errata 1, ABNT NBR IEC 60079-1 + Errata 1, ABNT NBR IEC 60079-31)
	EAC Ex (TR CU 012/2011)
	ETL listed for USA (UL 60079-0, UL 60079-1, UL 60079-31), cable tail versions
	ETL listed for Canada (CAN/CSA-C22.2 NO. 60079-0, CAN/CSA-C22.2 NO. 60079-1, CAN/CSA-C22.2 NO. 60079-31), cable tail versions

Accessories



MBX2MAA Communication box

EXPLOSION-PROOF COMMUNICATION BOX IN STAINLESS STEEL



NXWBS1 Wall Bracket

Wall bracket for MVX Ex housings



WASEX2T4AT EX

WASEX WASHER PUMP WITH EX-PROOF SOLENOID VALVE



OCABLMPXARM4

Armoured multicable with barrier gland 4m for MVX-MPX



OCABLMPXARM10

Armoured multicable with barrier gland
10m for MVX-MPX



FM1010 EMC Filter

EMC filter for Marine certification