

2310111157

## IC-NDC-2MP-V2

2 MP Indoor WDR Motorized Varifocal Dome Network CCTV Camera



- ✓ 1/2.8" Progressive Scan CMOS
- ✓ Indoor/Outdoor WDR dome camera
- ✓ 2MP resolution
- ✓ Motorized lens 2.8-12mm
- ✓ Up to 30 meters IR range
- ✓ Built-in Micro SD/SDHC/SDXC card slot, up to 128 GB
- ✓ Audio/alarm I/O (-S)
- ✓ Mobile Monitoring via EZVIZ P2P or iVMS-4500
- ✓ 12V DC±25% & PoE(802.3af Class 3)
- ✓ Support H.264+

ONVIF ONVIF Conformant



IP67



IK10

## Description

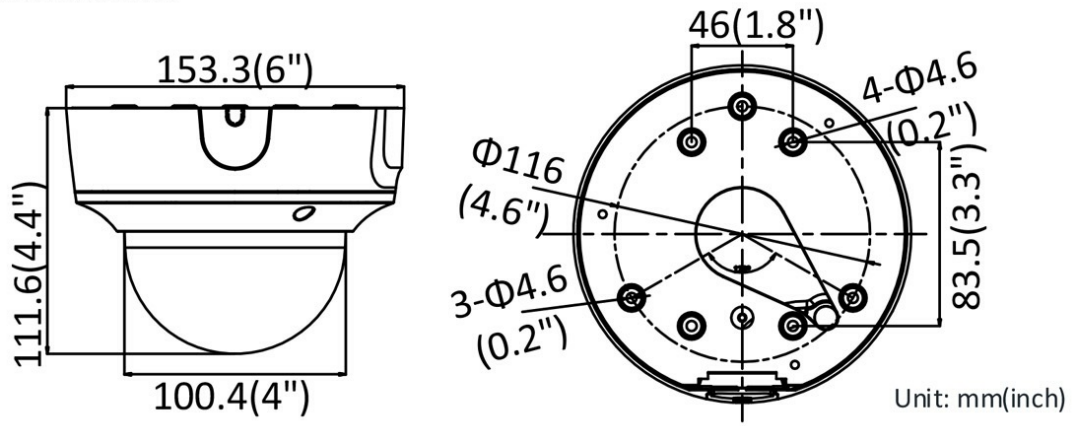
The IC-NDC-2MP-V2 is a IR Varifocal Dome Camera that provides high definition network output. It supports H.265+ video compression, thus assuring savings in bandwidth and storage. The camera is equipped with a 2.8 to 12 mm motorized varifocal lens, and offers an EXIR 2.0 range of up to 100 ft (30 m). Smart features such as line crossing and intrusion detection are supported.

Image enhancement features including a 120 dB wide dynamic range, white balance, and backlight compensation enable you to capture clear images in varying lighting conditions.

Designed for easy setup, IC-NDC-2MP-V2 uses PoE technology so you can run just one cable for both data and power. Moreover, it has a microSD card slot for edge storage, and audio input and output ports for two-way talk. The camera is housed in an IP67- and IK10-rated weather- and vandal-resistant enclosure. ONVIF compliance ensures compatibility with a wide range of surveillance equipment.

## Technical Dimensions

## Dimensions



# Specifications

## CAMERA

Image Sensor	1/2.8" Progressive Scan CMOS
Min. Illumination	Color: 0.018 lux @ (f/1.6, AGC on) 0 lux with IR
Shutter Speed	1/3 s ~ 1/100,000 s
Slow Shutter	YES
Lens	2.8 to 12mm motorized varifocal lens f/1.6
Angle Adjustment	Pan:0° - 360°, Tilt: 0° - 90°, Rotation: 0° - 360°
Lens Mount	M14
Day & Night	IR Cut Filter
WDR	120dB

## COMPRESSION

Video Compression	Main stream: H.265+/H.265/H.264+/H.264 // Sub-stream: H.265+/H.265/H.264+/H.264/M JPEG // Third stream: H.265+/H.265/H.264+/H.264
H.265 Type	Main/high profile
H.265+	Main stream and sub-stream support
Video Bit Rate	32 Kbps – 16 Mbps
Audio Compression	G.711/G.722.1/G.726/MP2L2/PCM
Audio Bit Rate	64 kbps (G.711)/16 kbps (G.722.1)/16 kbps (G.726)/32 to 192 kbps (MP2L2)

## IMAGE

Max. Resolution	1920 × 1080
Main Stream	30 fps (1920 x 1080, 1280 x 960, 1280 x 720)
Sub Stream	30 fps (640 x 480, 640 x 360, 320 x 240)
Third Stream	30 fps (1920 x 1080, 1280 x 720, 640 x 360, 352 x 240)
Image Enhancement	BLC/3D DNR
Image Settings	Rotate mode, saturation, brightness, contrast, sharpness, AGC, and white balance are adjustable by client software or web browser
Day/Night Switch	Auto/Schedule/Triggered by Alarm In

## SMART FEATURES

Behavior Analysis	Line crossing detection, intrusion detection
Exception Detection	IC-Yes
Region of Interest	One fixed region for main stream and sub-stream

## NETWORK

Network Storage	MicroSD/SDHC/SDXC card (128 GB), local storage and NAS (NFS,SMB/CIFS), ANR
Alarm Trigger	Motion detection, video tampering alarm, network disconnected, IP address conflict, illegal login, HDD full, HDD error
Protocols	TCP/IP, ICMP, HTTP, HTTPS, FTP, DHCP, DNS, DDNS, RTP, RTSP, RTCP, PPPoE, NTP, UPnP, SMTP, SNMP, IGMP, 802.1X, QoS, IPv6, UDP, Bonjour
General Function	One-key reset, anti-flicker, 5 streams and up to 5 custom streams, heartbeat, password protection, privacy mask, watermark, and IP address filtering
API	ONVIF (PROFILE S, PROFILE G), ISAPI
Simultaneous Live View	Up to 6 channels
User/Host	Up to 32 users. 3 user levels: administrator, operator and user

## GENERAL

Interface	1-port RJ45 10M/100M self-adaptive Ethernet port
Operating Conditions	-22 to 140 Degree F (-30 to 60 Degree C) Humidity 95% or less (non-condensing)
Power Supply	12 VDC, terminal block, PoE (802.3af, class 3)
Power Consumption and Current	12 VDC, 0.8 A, maximum 10 W; PoE (802.3af, 37 V to 57 V), 0.35 A to 0.2 A, maximum 12 W
Material	Front Cover & Base: Metal
Ingress Protection	IP67
Impact Protection	IEC60068-275Eh, 20J; EN50102, up to IK10
IR Range	Up to 100' (30m)
Dimensions	6.0 x 4.4" (153.3 x 133.1mm)
Weight	0.84kg

# Accessories



IC-NDC-JB-V2 Junction box

Junction box for IC-NDC Dome  
Cameras DS-1280ZJ-DM55



Wall Mount Bracket for IC-  
NDC-2MP-V2

wall mount