

2810021001

## Wall-mount Backbox for Cleanroom Station



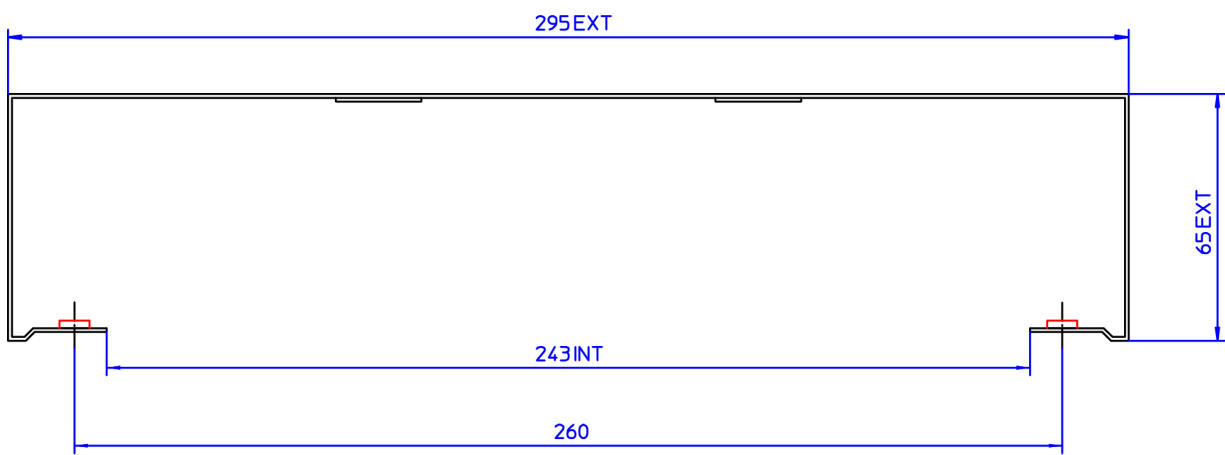
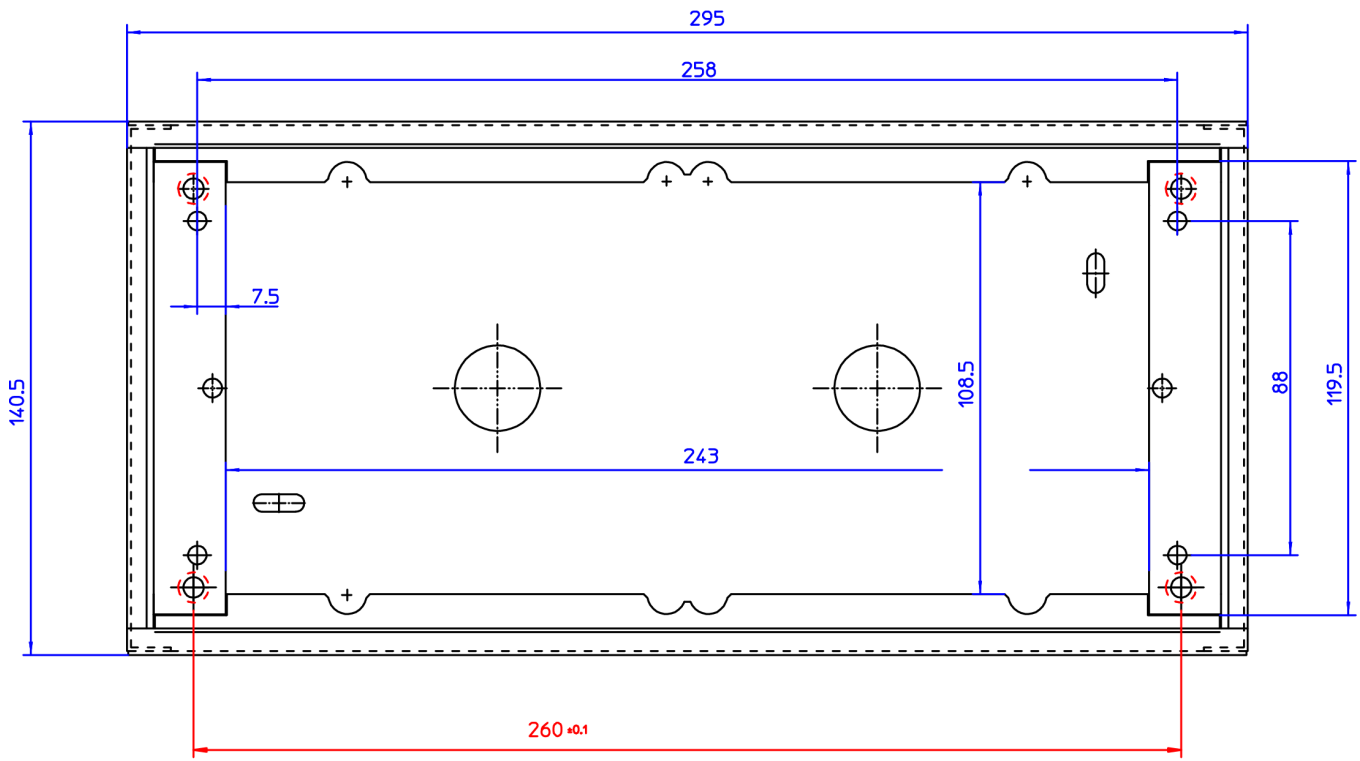
---

### Description

Wall-mount backbox for:

✓ 1008415000 - IP-CROR Cleanroom Station

### Technical Dimensions



# Specifications

## GENERAL

Size (WxHxD)	140.5 x 295 x 65 mm
Weight	0.9 kg
Material	Zincor – Color Grey RAL 9006

## Used With



### Clean Room Intercom Station IP-CROR

IP Intercom Station for Clean Rooms  
and Hospital Operating Rooms