



2200014001

T2000

Telephone hood, -9dB, Yellow

- ✓ Sturdy and robust
- ✓ Made for maritime and industrial environments
- ✓ Made of thermoset composite GRP certified to BS476 Part 7 Class II

Description

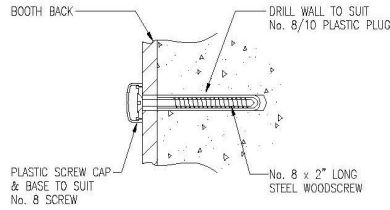
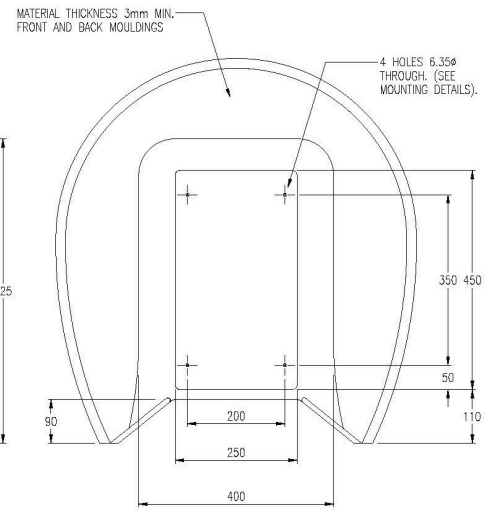
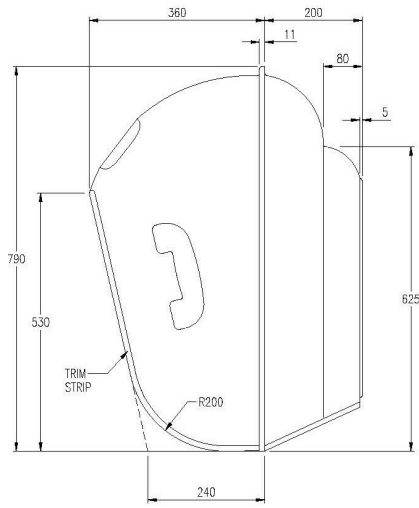
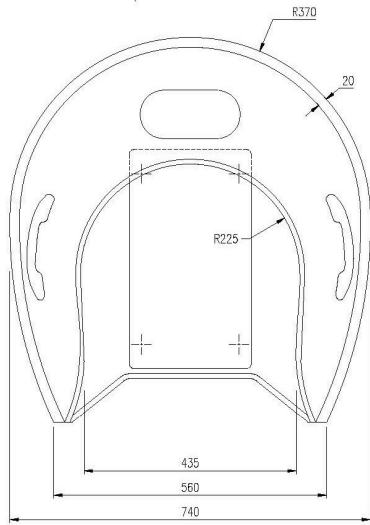
The T2000 telephone hood is specifically designed and made for installation in demanding or hazardous environments and is extremely robust and environment proof.

The hood is manufactured in two halves, which are then bonded together as well as being held with stainless steel rivets.

Telephones can be mounted in a 450mm high and 250mm wide flat area in the back of the hood. Wall fixing pack is included.

Technical Dimensions

3rd ANGLE PROJECTION



BOOTH MOUNTING DETAILS
(SCALE 1:1) 4 HOLES REQUIRED

Colour Specification		
FRONT	BLUE BROWN GREEN	GREY RED YELLOW
BACK	GREY	

Specifications

GENERAL

Color	Yellow
Material (outer shell)	Thermoset composite GRP moulding manufactured using a certified RTM system to BS476 Part 7 Class I
Mean noise attenuation	-9dB
Dimensions	790 x 740 x 560 mm (HxWxD)
Weight	9 kg
Back panel dimensions (for telephone mounting)	450 x 250 mm (HxW)