

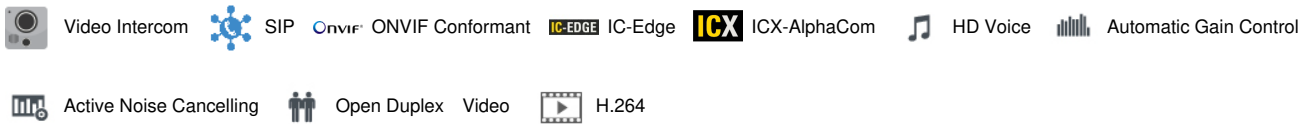
1008331010

TKIV+ Video Intercom kit

Turbine Video - VoIP Intercom Module



- ✓ Build your own IP Intercom video station or Help-Point
- ✓ Add VoIP and video to your parking solution, cash point, vending machine, et al
- ✓ Advanced audio technology like automatic gain and volume adjustment, background noise cancellation, open duplex, etc.
- ✓ HD Video at up to 30 frames per second in 1440x1080p
- ✓ Wide angle lens
- ✓ ONVIF Profile S conformant
- ✓ MJPEG and H.264
- ✓ Control relay and I/Os over IP
- ✓ Supports ICX-AlphaCom, IC-EDGE and SIP
- ✓ Supports a wide set of IP networking standards
- ✓ Powered from the IP network cable using Power over Ethernet (PoE and PoE+)



Description

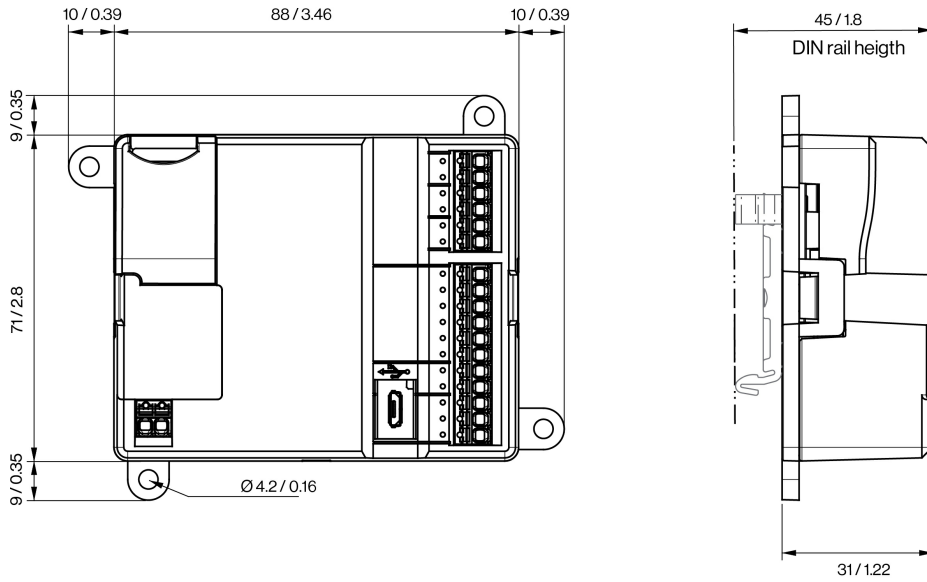
The TKIV+ Turbine Compact Intercom Video Kit combines the unrivaled high-quality audio of Zenitel's Turbine Compact Series with exceptional video.

It provides partners with the opportunity to use our technology to build their own video intercom stations.

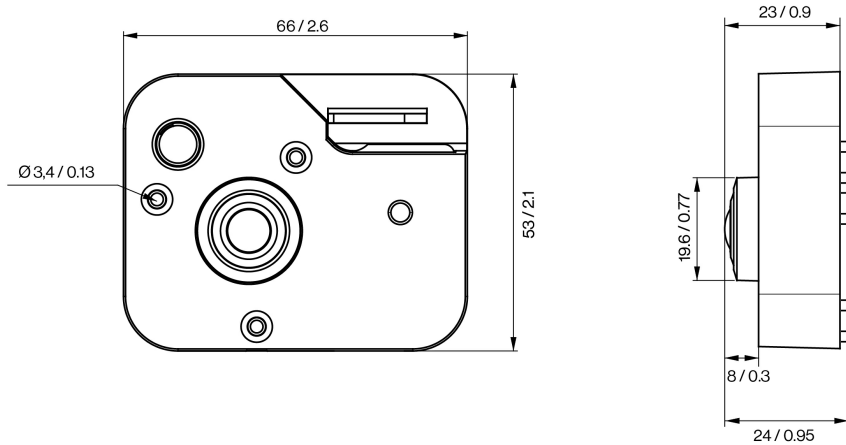
[See Zenitel Wiki for more information](#)

Technical Dimensions

Dimensions CPU module



Dimensions camera module



All dimensions in mm / in

Height with spacer rings

Specifications

AUDIO

SPL peak power at 1m in open duplex	90 dB
SPL peak power at 1m in half duplex	100 dB
SPL peak power at 1m in program distribution and announcement	100 dB
Noise cancelling - suppression of musical noise	Yes
Codecs	G.711, G.722, G.729
Frequency range, G.722 Codec	200 Hz – 7000 Hz
Audio technology	Modes: Full open duplex, switched open duplex Adaptive jitter buffer Custom Ringing Tone Audio Mixing – Conversation and Group Call Sound Level Detection / scream alarm (only in AlphaCom) Automatic gain control (microphone)
Internal speaker amplifier	10 W class D
Internal speaker	10 W
Microphone technology	Digital MEMS, omnidirectional microphone
Automatic Volume Control (AVC)	Yes
Acoustic Echo Cancellation (AEC)	Yes

VIDEO

Image Sensor	1/2.5" RGB CMOS
Lens	F 2.0, fixed iris
Light Sensitivity	Down to 1 lux
Resolution	240 / 480p / 960x720p / 1440x1080p*
Frame Rate	Up to 30 FPS in 1440x1080p**
Supported Codecs	MJPEG, H.264 ***
Digital PTZ	Yes
Digital Zoom	Up to 4x
Field of View	Configurable up to 180 degrees horizontally and vertically
Snapshot Function	No
IR LED	No
Parallel videostreams	6 (1x SIP H.264, 2x HTTP MJPEG, 3x RTSP sessions)
	* MJPEG does not support 720p and 1080p resolution.
	** 30 FPS is only supported in H.264 mode, while MJPEG is limited to 10 FPS.
	*** ICX-AlphaCom mode supports only RTSP H.264 mode, while other modes support SIP H.264.

HARDWARE

Ethernet connector	1 x RJ-45
All other connectors	Tool less, spring loaded, vibration proof terminals
General inputs and outputs	6 (configurable)
Outputs	12mA as LED drivers
Change-over relay (NO+NC+COM)	SELV
Power options	PoE, PoE+, external power supply
PoE (Power over Ethernet)	IEEE 802.3af standard, IEEE 802.3at
External power supply	24VDC - 48VDC
Power consumption	Idle 3.5W, max 12W (depending on volume)
Audio Line out / Induction loop signal	600 OHM
Length of included camera connection cable	100 mm

PROCESSOR / CHIPSET

CPU cores	4 x Cortex-A53
CPU Clock Speed	1.6 GHz
RAM	512MB LPDDR4
Flash	1 Gb
Video encoder	MJPEG, H.264
Dual Image	Yes

CONSTRUCTION

Dimensions CPU module (HxWxD)	89 x 108 x 31 mm
Dimensions camera module (HxWxD)	53 x 66 x 23 mm

NETWORKING & PROTOCOLS

Protocols	IPv4 (with DiffServ), SIP, TCP, UDP, HTTPS, TFTP, RTP, RTSP, RTCP, SRTP, DHCP, SNMP, Vingtor-Stentofon CCoIP®, NTP, ONVIF, WS-Discovery
LAN protocols	Power over Ethernet (IEEE 802.3 a-f), Power over Ethernet (IEEE 802.3at)
Management and operation	HTTP/HTTPS (Web configuration). DHCP and static IP. Remote automatic software upgrade. Centralized monitoring.
Advanced supervision functions	E.g network test, tone test, status reports (only in AlphaCom)
SIP support	RFC 3261 (SIP base standard) RFC 3515 (SIP refer) RFC 2976 (SIP info), SIP using TLS, RFC 5630 SIPS URI scheme
DTMF support	RFC 2833, 2976 (SIP info)
Integration and API	AlphaCom, Scripting (plugins)

ENVIRONMENTAL

Operating temperature range	-30° to 70° C / -22° to 158 ° F
Storage temperature range	-40° to 70° C / -40° to 158 ° F

CERTIFICATIONS

ONVIF Conformance	Profile S for streaming video
-------------------	-------------------------------

OTHER SPECIFICATIONS

IP address information	Speaks IP address after system boot
Country of manufacture	Poland
Warranty	2 Years standard warranty, extendible up to total of 5 years (additional fee)

Accessories



TA-16

Item Number: 1008140160



TA-17

Item Number: 1008140170

Used With



ITSV-4

HD IP Video Phone with 5" Screen

Item Number: 1490004010



ITSV-5

HD IP Video Phone with 8" Screen

Item Number: 1490005010