

3005020052

SB01

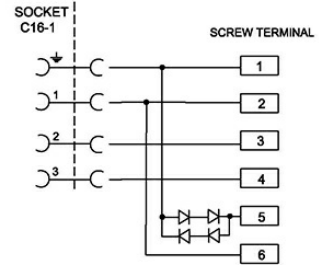
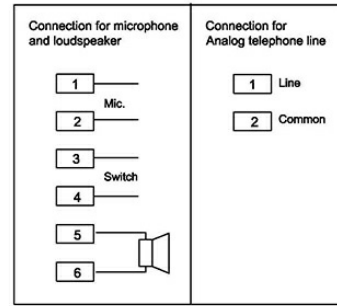
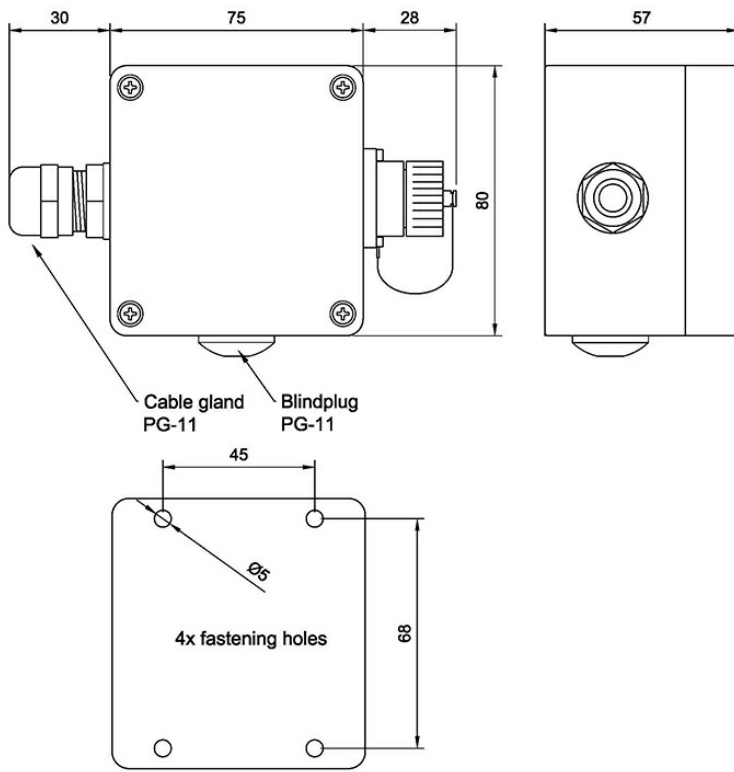
Socket Box

 IP66

Description

- ✓ Socket box for multipurpose use:
 - Microphones
 - Headset
 - Loudspeaker
 - Analog Telephone Line

Technical Dimensions



Specifications

GENERAL

Termination	Screw terminals
Material	Fibre glass reinforced polyester
Socket	C16-1 4pin
IP class	IP-66
Mounting	Wall
Dimensions (mm)	75W x 80H x 57D
Cable inlet	PG-11