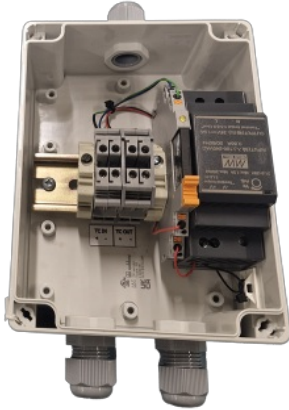


2310601051

## Impulse Amplifier 230VAC

116279-01

The impulse amplifier is intended for amplification of 24V Time Code marine

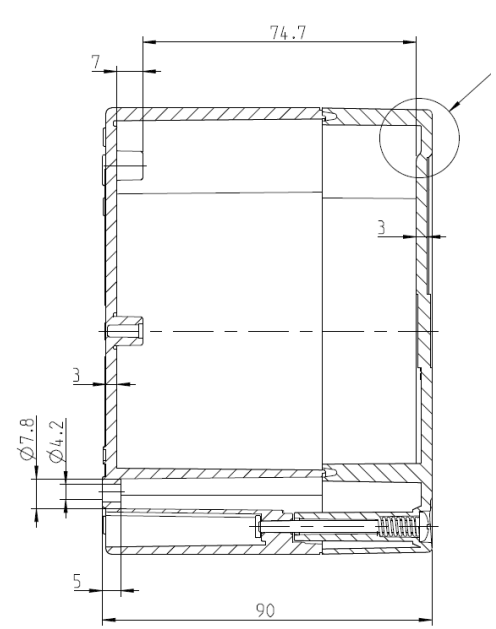
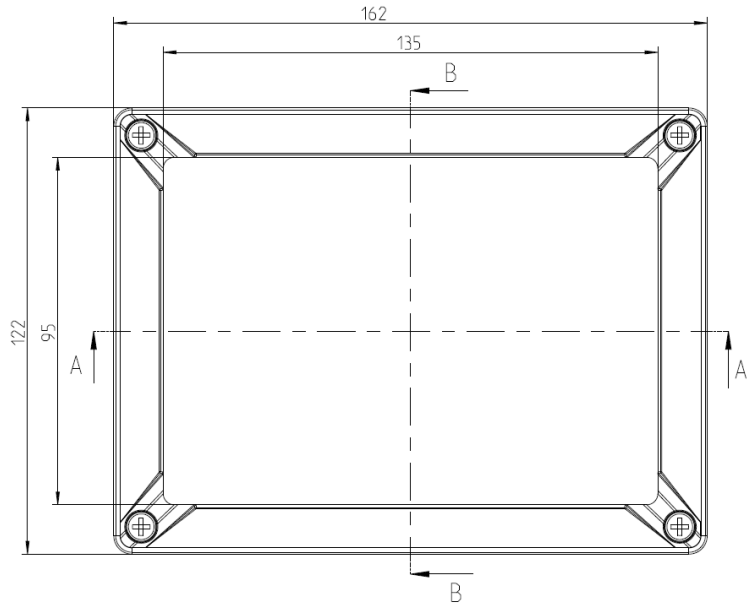


---

### Description

- ✔ To amplify polarized impulses from a master clock or wired time code, TC

### Technical Dimensions



# Specifications

## GENERAL

Connection	230 V AC -10% +5% 50-60Hz
Weight	0.7 kg
Crystal frequency	4,19304 MHz
µ-Controller	PIC 16C54
Max. load impulse outputs	TC: 1 A
Ambient temperature	0°C up to +40°C
Relative humidity	Max. 85%
IP rating	IP 66
Color	Grey (Polycarbonate)
Dimensions	W=122mm, H=162mm, D=90mm

## Used With



### Marine Master Clock 70000

123378-01 Marine Master Clock  
70000

Item Number: 3005050028



### Marine Master Clock with Network Time Server, 70000L

123378-11 Marine Master Clock  
70000L With Network Time Server

Item Number: 3005050029