



1020600770

VMP-36-PEL-A/20

Headset with boom mic, headband, and 20m cable for VMP Station

Replacement item: [1020600790](#)

- ✓ Headset for direct connection to a VMP station
- ✓ Switchbox w/ M-button and belt clip
- ✓ Excellent noise performance
- ✓ High attenuating ear shells
- ✓ 20 meter cable



IP54



Onboard communication

Description

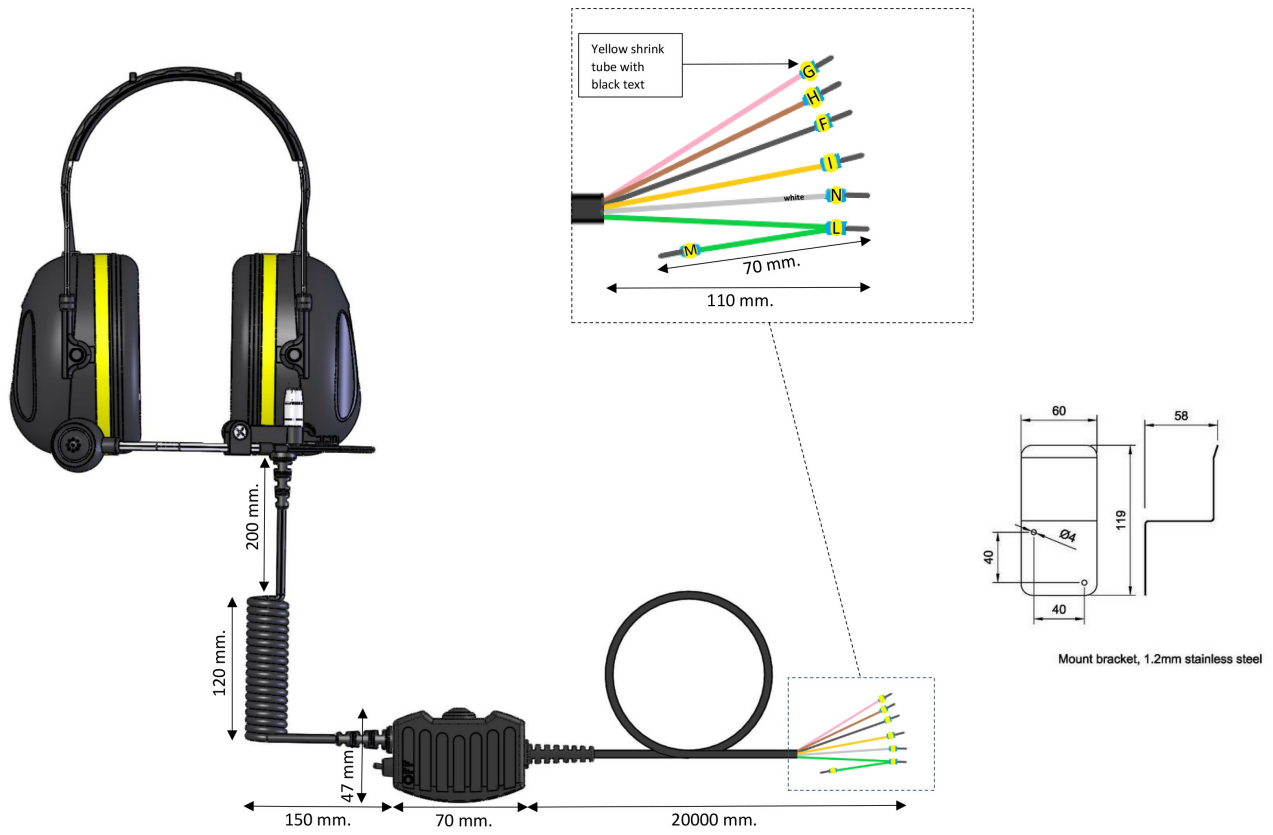
The VMP-36-PEL-A/20 headset brings hearing protection and communication in noisy environments into a new level of performance with newly designed speakers and microphone.

The dual cup give a modern and slim look and is specially designed to provide excellent noise attenuation.

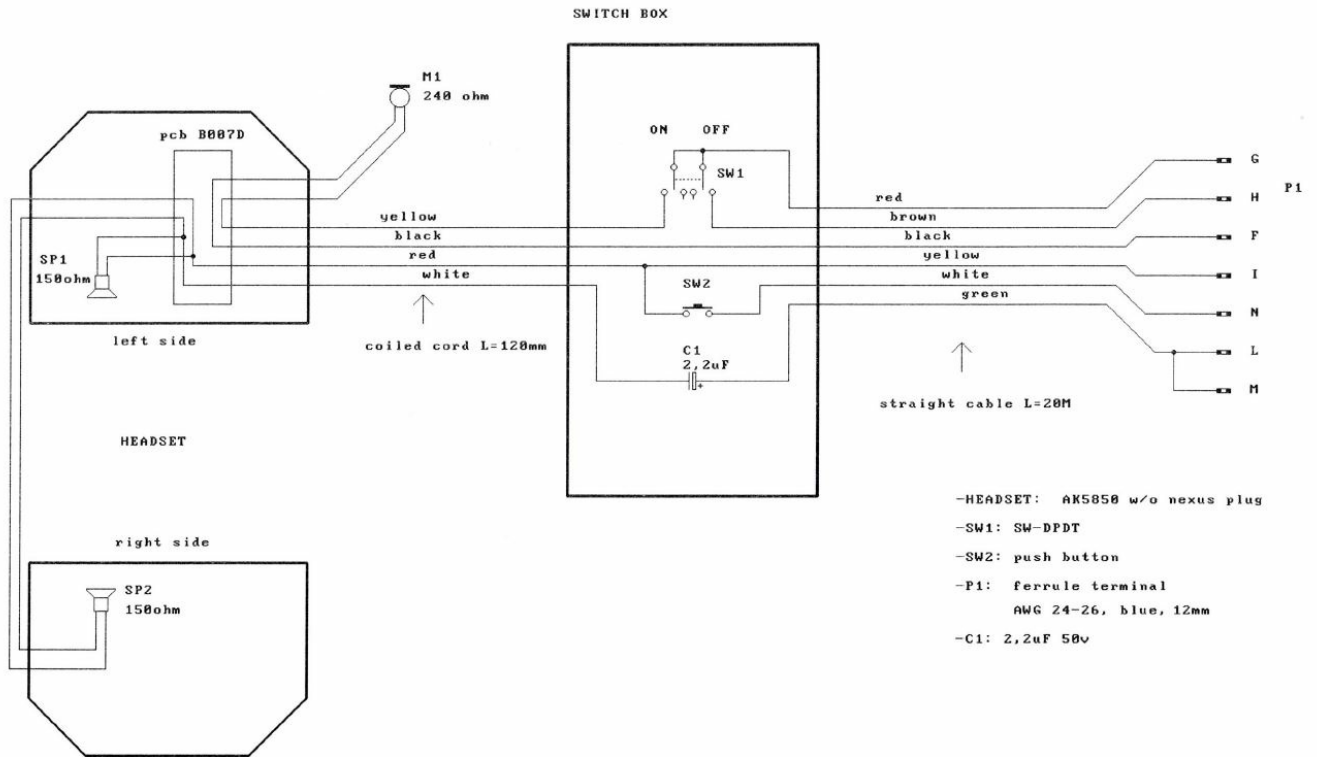
Applications

The VMP-36-PEL-A/20 headset can enhance communication in noisy environments and other workplaces, where the workers need to be connected to their 2-way handheld or fixed systems throughout the day to help facilitate frequent contacts with co-workers.

Technical Dimensions



Specifications



GENERAL

Termination	Flying leads/ferrules, prepared for screw terminals
Microphone	20,5 mm. dynamic noise cancelling, 240 Ohm+- 30 %, sensitivity -57 dB+-3 dB, 0 dB=1v/pa at 1kHz, frequency response: 50Hz-6KHz.
Earphone/Speakers	27 mm. diameter, 150 Ohm+- 15 %, Parallell connection, frequency response: 50Hz-10KHz.
Temperature	-40 to +60 degrees C
Storage Humidity	< 90%
Protection	IP-54 (When worn)
Attenuation rating (HML)	H=32 dB / M=28 dB / L=20
Attenuation rating (SNR)	30 dB
CE Certificate no.	12151RHS01
Dimension (HxD)	Approximately 250 x 150 mm. (adjustable).
Weight	0.4 kg
Colour	Black/Yellow
Manufacturer	Zenitel (A-kabel)
Cable	20m

Accessories



Hygiene kit for Headset

Hygiene kit for Headset



Headset Stowage Bracket

Headset stowage Bracket for Wall mounting



Spare Switchbox w/cable for VMP-36-PEL-Ad/20



AK6070T Throat microphone for all A-kabel type Headsets

Dynamic Throat Microphone for Headset

Used With



Light Industrial Master Station



Industrial Master Station

Heavy Duty