

2340020010

DSP-15 EExmN 15W/20 Ohm

Ex Speaker with 2 Cable Glands



- ✓ 2x plastic M20 cable gland (11-14mm)
- ✓ Ex db eb mb IIB+H2 T4 Gb
- ✓ Ex tb IIIC T105°C Db

 IP67  IEC Ex Intercom  Ex Atex

Description

Versatile explosion-proof horn speaker perfectly suited for industrial or maritime environments. Antistatic plastic housing ensures a rugged, yet light-weight construction.

- ✓ With a 100V line transformer
- ✓ With an internal thermal fuse
- ✓ Rated/max. power: 15W
- ✓ Impedance: 20 Ohm
- ✓ Material: Antistatic PA / Black
- ✓ Bracket and all outside nuts and screws in stainless steel

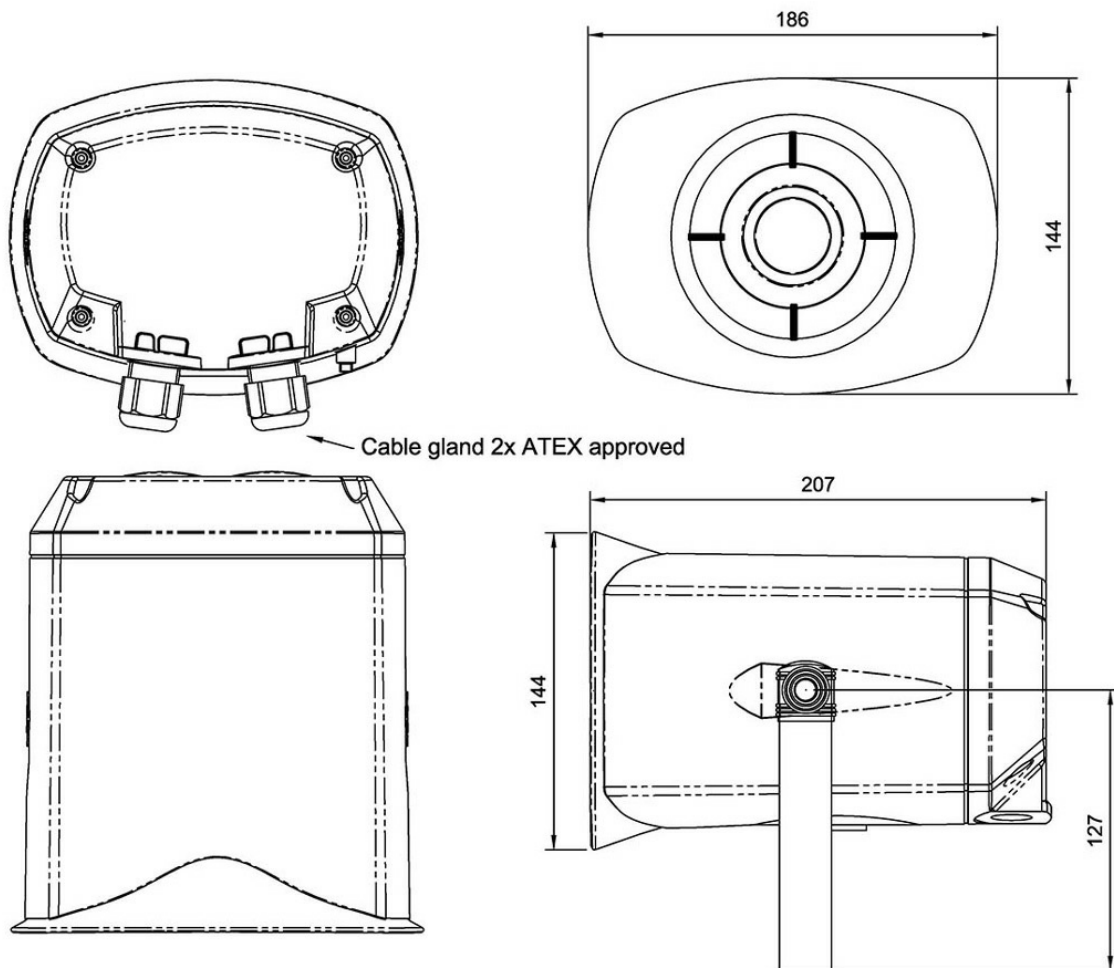
Installation, Operation and Maintenance Procedures

- ✓ Remove the lid by four screws, lead the cable through the cable gland, and connect to the terminal with the required

tapping.

- ✓ Every time the back lid is removed, check that the gasket is fitted correctly to the lid before you refit the back lid. Do not use any lubricants on the gasket.
- ✓ Screw the lid back into place with four screws with a torque of 0,95-1,2 Nm to ensure the IP rating.
- ✓ To change the position of the loudspeaker, please adjust the standard U-bracket (by loosening/tightening the screws) as required.
- ✓ Use only IECEx/ATEX certified “Ex eb” cable glands and blanking plugs reflecting the same IP rating and temperature range as the loudspeaker.
- ✓ Standard model delivered with two M20 Ex-approved plastic blanking plugs.
- ✓ According to customer requirements, DSP-15EExmN(T) can be supplied with three different bracket systems.
- ✓ For optimum performance, always use the correct voltage/power and operate within the frequency limits as stated.
- ✓ Do not open the loudspeaker when energized.

Technical Dimensions



Specifications

GENERAL

Material / Color	Anti-static PA / Black
Mounting	Bracket
Termination	e-chamber, push terminals
Weight	2,2 kg
IP-rating	IP-66/67
Max / min amb temp.	50°C / -50°C
Rated / max. power	15 W / 30 W
SPL 1W/1m	105 dB
SPL rated power	116 dB
Effective freq range	380-7000 Hz
Dispersion (-6dB) 1kHz / 4kHz	200° / 50°
Directivity factor, Q (1kHz)	1,8
Fuse	Thermal fuse- 84°C, 2x Short-circuit protection fuses
Ex Classification	Ex db eb mb IIB+H2 T4 Gb / Ex db eb mb IIC T4 Gb / Ex tb IIIC T105°C Db

PRODUCT VARIANTS

2340020057	Ex horn speaker 15W, 8 Ohm, SST bracket, 2xM20 Gland
------------	--