

4000016423

P-3133

3133 PA Interface for 3130 system



Onboard communication



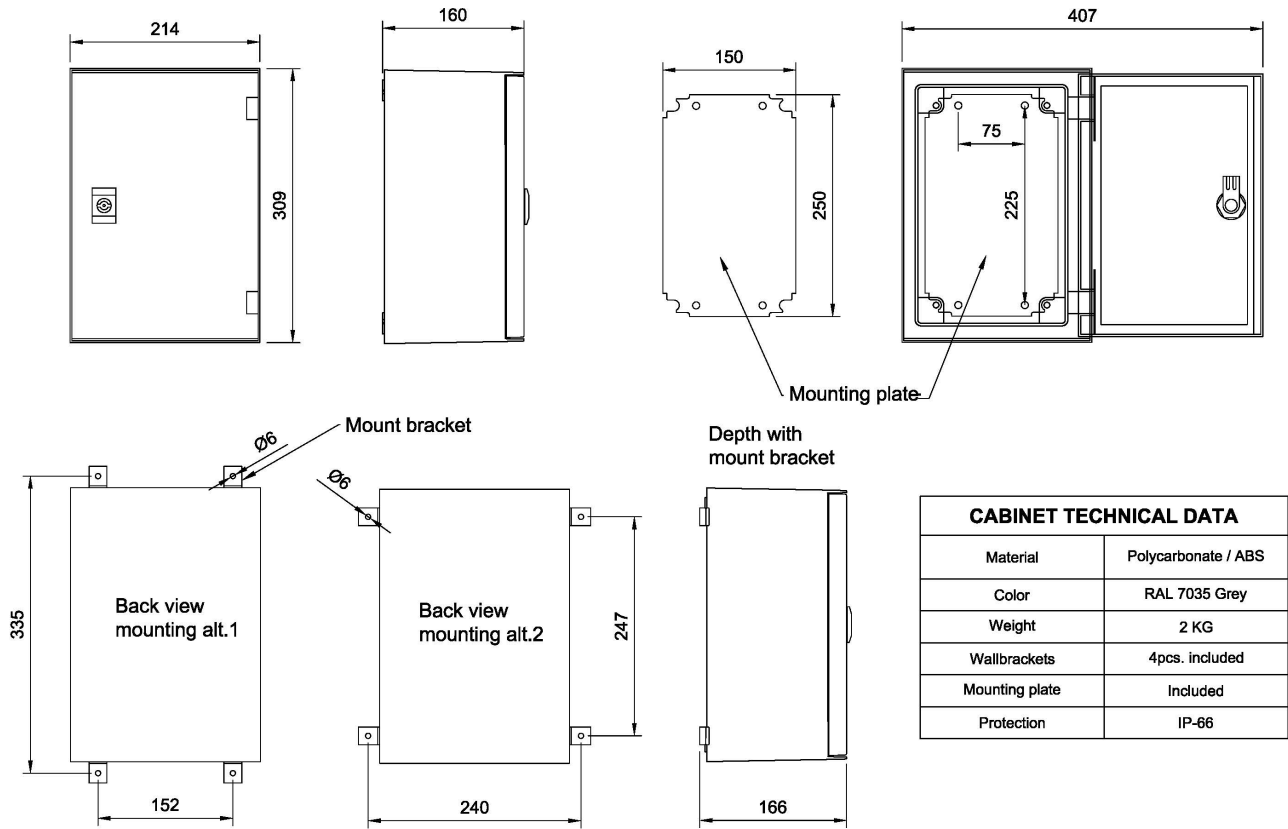
IP66

Description

- ✓ Connects to a P-3130 Talkback system for PA expansion
- ✓ Connects to 1-4 external amplifiers
- ✓ Control of up to 4 different zones
- ✓ PLM 32 Cabinet:
- ✓ Plain wall mounting using a mounting plate
- ✓ Colour grey RAL 7035
- ✓ Corrosion resistant
- ✓ Double chromed zinc coated steel plates

- ✓ Wall mounting set for outside mounting to wall
- ✓ Protection IP-66

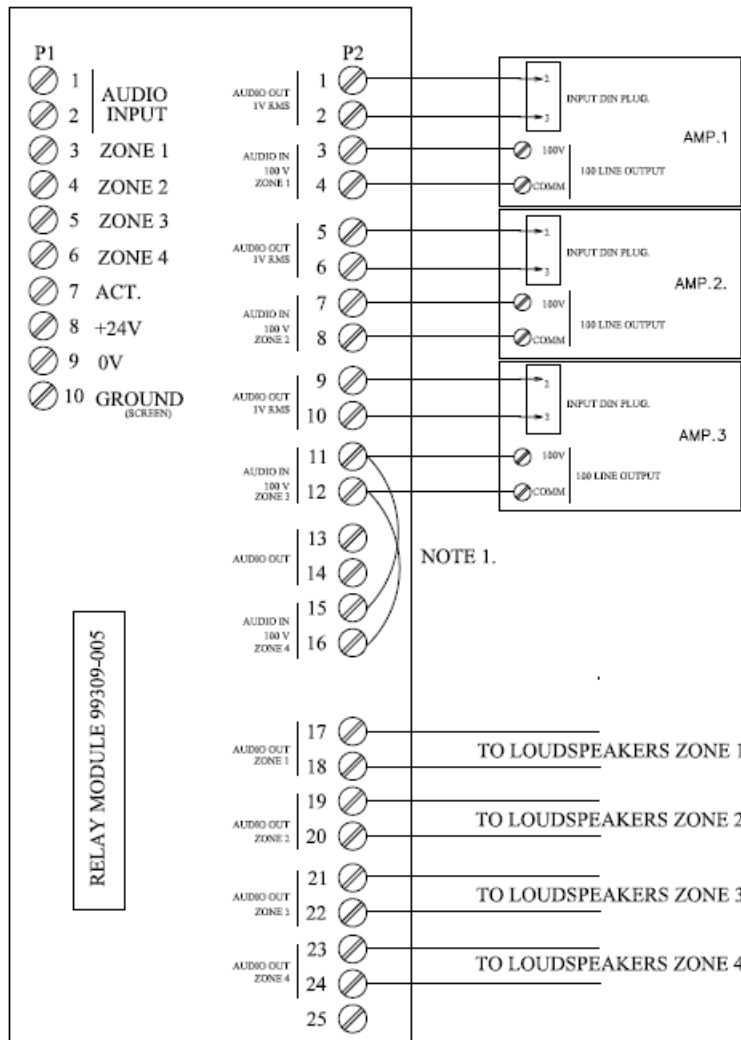
Technical Dimensions



Specifications



TO CIS 3130
SEE DWG.
99309-000-EC



* NOTE: EXAMPLE AMPLIFIER 3 COVER ZONE 3 AND 4.
LINKS TO BE INSTALLED 11-15 AND 12-16

GENERAL

PLM-32	PLM-32 Seawater Resistant Cabinet IP-66
Dimensions (WxHxD)	214 x 309 x 160 mm
Weight	2.0 kg
Mounting plate:	Dimension 250 x 150 mm

Accessories



VPA-120

Power Amplifier 120W



VPA-240

Power Amplifier 240 W



VPA-400

Power Amplifier 400 W

Used With



P-3130

CIS Talkback Master
Station