

3005020066

CIS J2-J3 External Microphone Interface adapter

Console mounted plug with terminals for external handheld microphone for CIS P-3100/3101/3102/3130 and P-3132



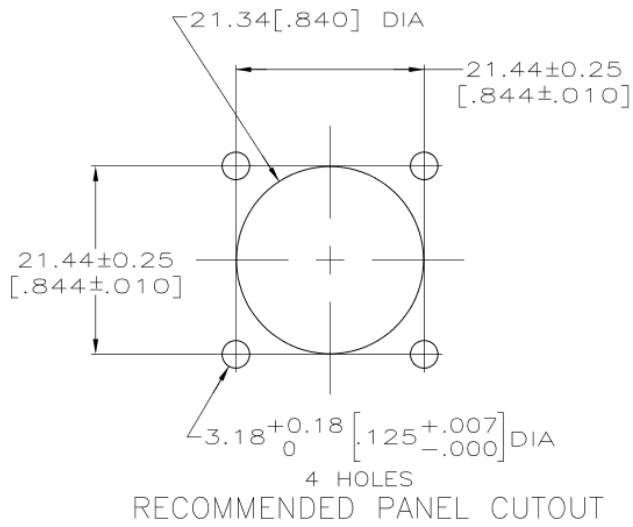
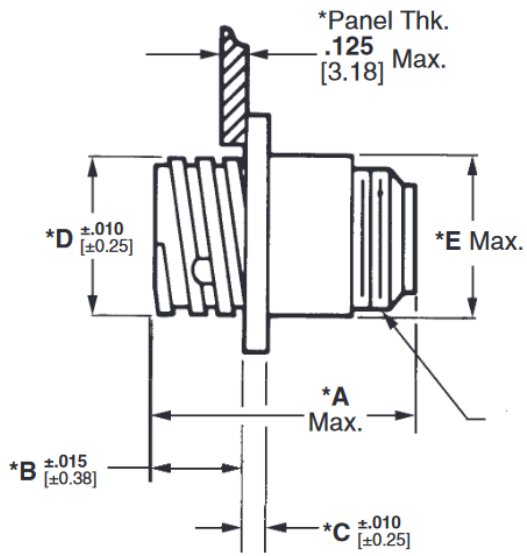
Description

This is a console mounted 4pin connector for handheld microphone to be used with the CIS Talck Back Maser Unit P-3100 / P-3101 /P-3102 / P-3130 / P-3132

Connects to P-3100 and P-3101: J2, pin 5-8

Connects to P-3102, P-3130 and P-3132: J3, pin 5-8

Technical Dimensions



Specifications

To install:

Remove power from the system (CIS Master Station)

Drill holes for the square AMP panel connector according to the measures specified under "Dimensions"

Remove the rear box of the CIS Master STATION (P-3100 / P-3101 / P-3102 / P-3103 / P-3130 / P-3132)

Loosen J2 (P-3100 or P-3101) or J3 (P-3102 / P-3130 / P-3132)

If the existing J2/J3 connector is longer than pin 4 (Loudspeaker/Vol.Pots connection) it must be cut (fine wirecutter or sharp knife)

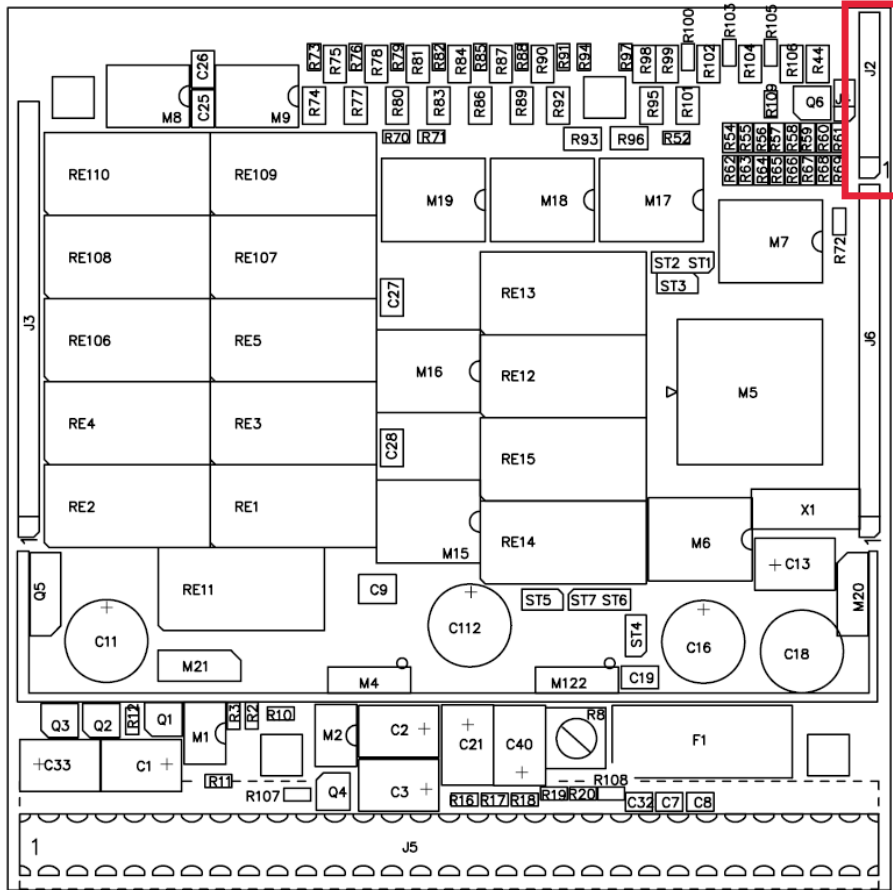
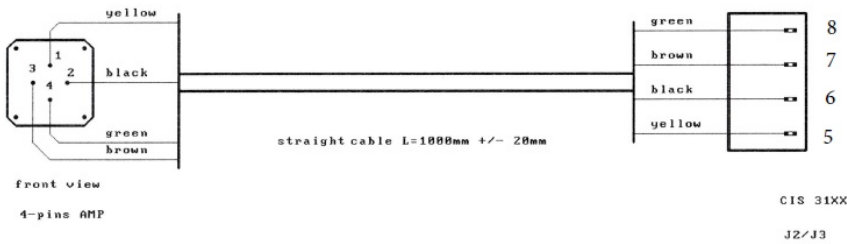
insert the "CIS J2-J3 External Microphone Interface adapter" through one of the entry holes in the rear box

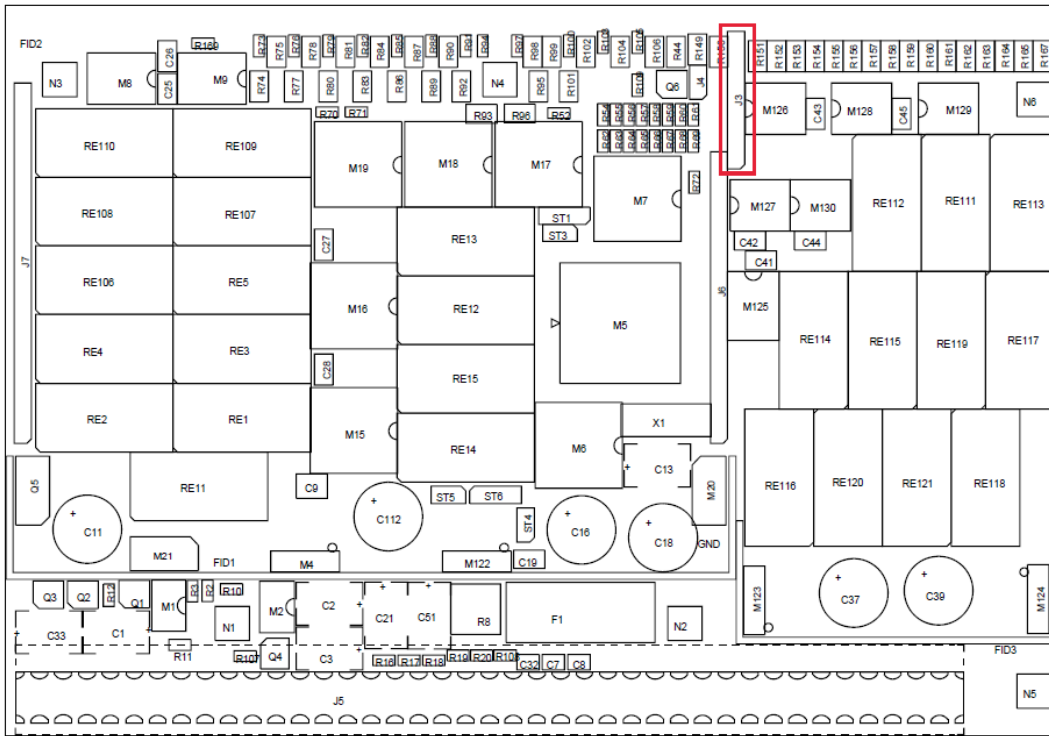
Carefully insert the "CIS J2-J3 External Microphone Interface adapter" SIL connector together with the newly cut Loudspeaker/Vol.Pots connector into the pin-header on the PCB

Make sure there is no conductive remains on the PCB or elsewhere that might cause short circuits

Replace and fasten the rear box

Power up the system again





Used With



P-3100
CIS Talkback Master Station



P-3101
CIS Talkback Master Station



P-3102
CIS Talkback Master Station



P-3130
CIS Talkback Master Station



P-3132
Remote Talkback Master Station



P-9017
Handheld microphone, noise cancelling