

2340200009

AL105-024O

Combined audible/visual 24VDC, 105dB, IP66

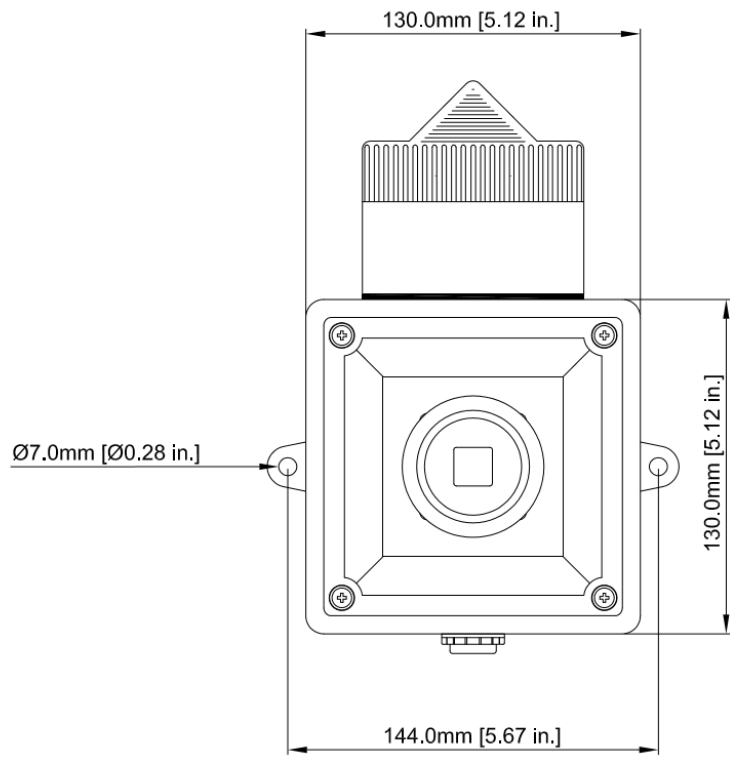
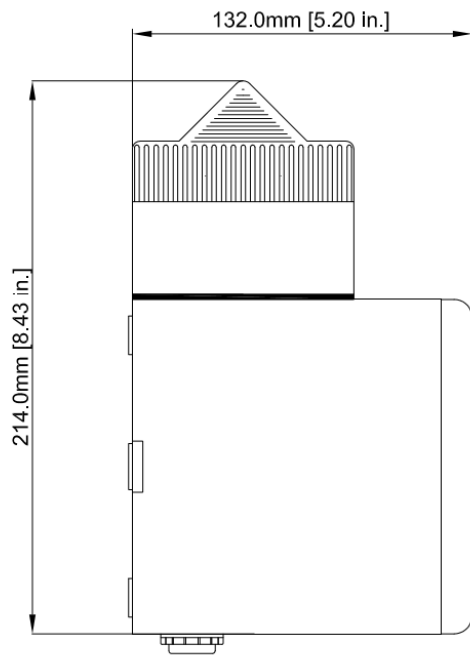


Description

- ✓ Automatic synchronisation on multi-sounder system.
- ✓ Stainless steel fixings.
- ✓ Duplicate cable terminations (in & out for daisy-chain installations)
- ✓ Lens Colour: Orange

The AL105N is a high output, 112dB(A) alarm sounder combined with a 5 Joule Xenon beacon. The robust, fire retardant IP66 housing ensures the AL105N is suitable for all general signalling applications including fire, security and process control.

Technical Dimensions



Specifications

GENERAL

Nominal Voltage	24vDC (10-30vDC)
Current Consumption	25mA (current at nominal voltage on tone 2)
Sounder, maximum output	112dB(A) @ 1 metre
Sounder, nominal output	105dB(A) @ 1m +/- 3dB - Tone 2
Sounder, No. of tones	32 (UK00A / PFEER compliant)
Sounder, No. of stages	3
Sounder, Volume control	Max. 105dB(A); Min: 96dB(A) - Tone 2
Sounder, Effective range	60m @ 1KHz
Beacon, Energy	5 Joules (5Ws)
Beacon, Flash rate	1Hz (60 fpm)
Beacon, Peak Candela	86,953 cd
Beacon, Effective Intensity cd	200 cd (Candela measurements representative of performance with clear lens at optimum voltage.)
Ingress protection	IP66
Housing material	High impact UL94 V0 & 5VA FR ABS
Colour	Red (RAL3000)
Cable entries	2 x M20 clearance gland entries in side & back
Terminals	0.5 to 1.55mm ² cables
Operating temperature	-25 to +55C
Weight	0.05kg

Weight	0.95kg
Dimensions	H214 x W130 x D132mm
