

2340210014

# BEX-1150

Beacon EX BEXBG05D 115VAC



IP66



IP67



Atex

## Description

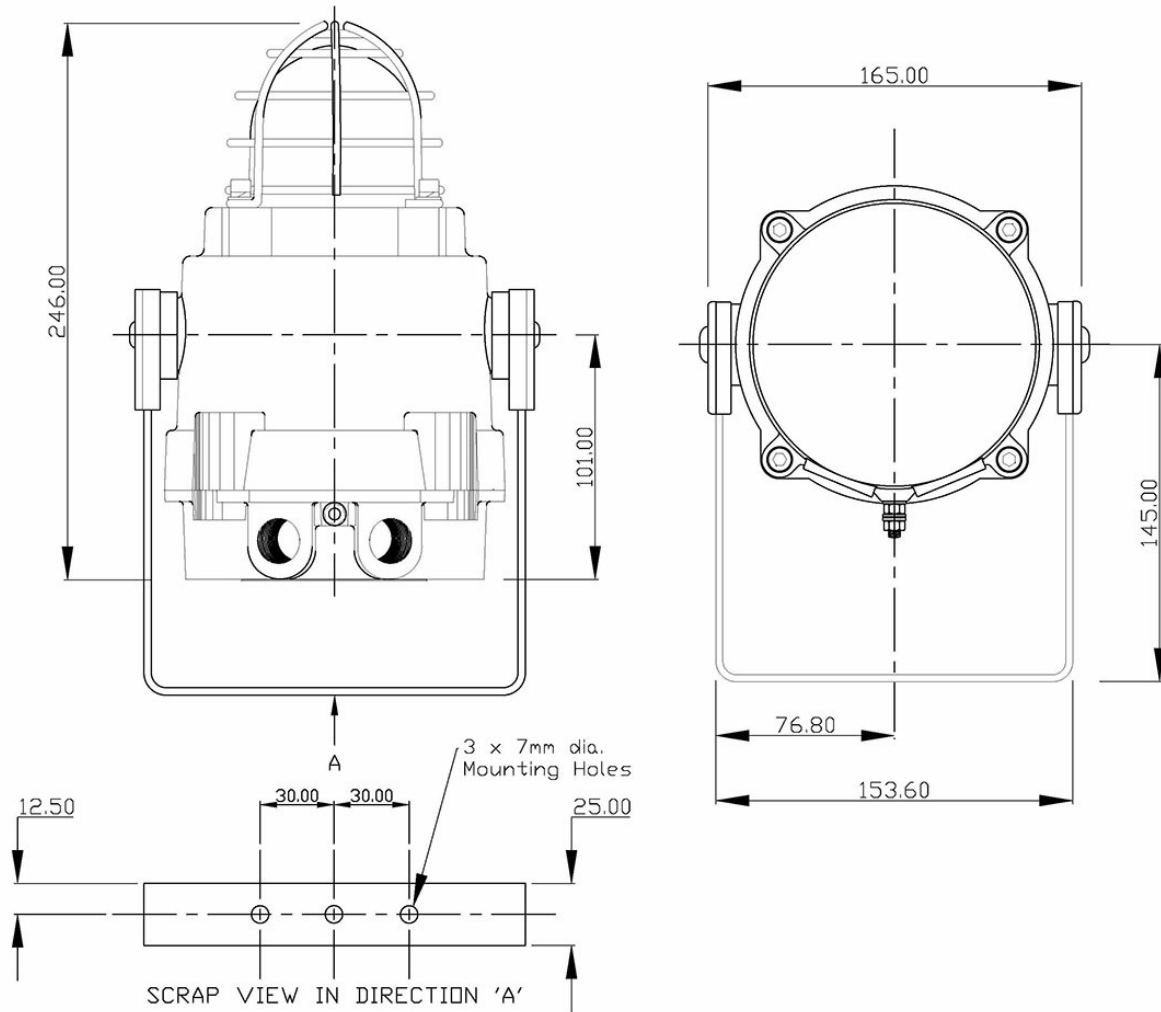
- ✓ Marine grade, corrosion proof, LM6 aluminium enclosure
- ✓ IP66/IP67 ingress protection
- ✓ Xenon tubes mechanically secured against shock & vibration
- ✓ 120 candela effective light intensity
- ✓ Automatic synchronisation on multi-beacon system
- ✓ Lens Colour: Orange
- ✓ Available lens colours: Orange, Green.

The flameproof BEX-1150 Xenon beacons are suitable for Zone 1, 2, 21 & 22 applications. Approved to IECEx,

ATEX, Ex EAC and INMETRO standards. The beacons robust construction enables installation in the harshest of environments.

Available options: Voltage: 24V dc, 115V ac, 230V ac

## Technical Dimensions



# Specifications

## GENERAL

Weight	2.45 kg
Energy	5 Joules (5Ws)
Flash rate	1 Hz (60 fpm)
Peak Candela	500,000 cd - calculated from energy (J)
Eff. Intensity cd	250 cd - calculated from energy (J)
Cable entries	2x M20 ISO (One cable gland and one blind plug incl.)
Temperature range	-50° to +70°C
Relative humidity	90% at 20°C
Housing material	Marine grade LM6 aluminium
Environmental Condition	Exposed

ORDER NUMBER	DESCRIPTION
2340210014	Beacon Ex BExBG05D 115VAC ATEX IP67 1x cable gland, Orange
2340210040	Beacon Ex BExBG05D 115VAC ATEX IP67 1x cable gland, Green