



3006200061

IS-mA1

Ex Sounder 24VDC 100dB(A) IP65

- ✓ Input overload and reverse current protection
- ✓ End of line resistor certified
- ✓ Auto synchronised sound output

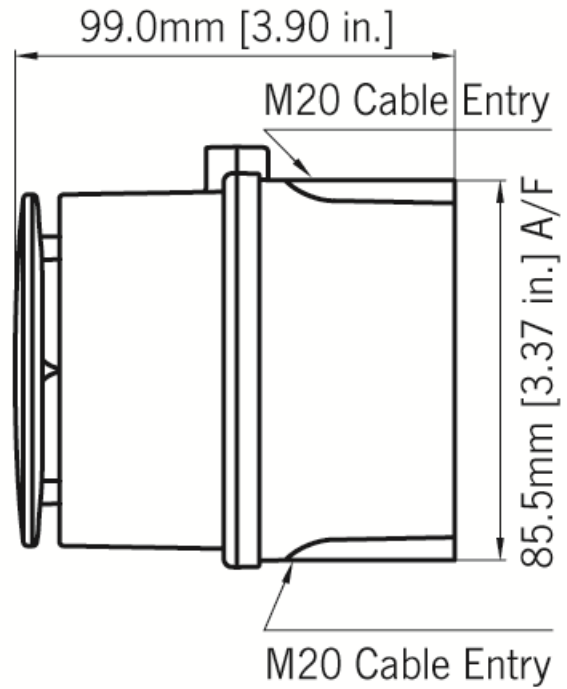
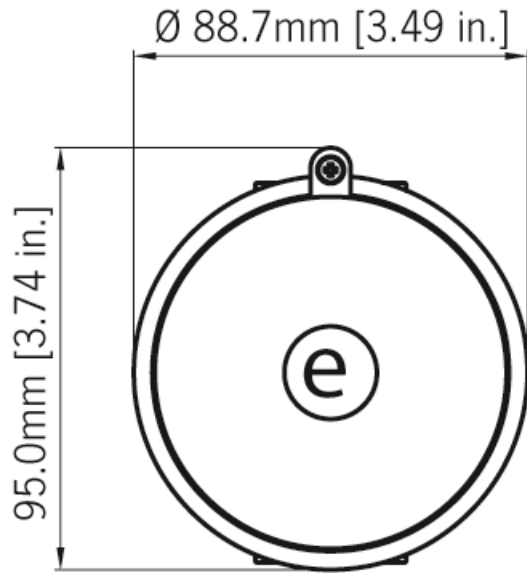


Description

The IS-mA1 is a compact, 100dB(A) alarm sounder. Approvals include ATEX, IECEx and GOST-R for Zone 0 applications and FM approval for Class I Division 1 and Class I Zone 0 applications. The IS-mA1 is suitable for all intrinsically safe signalling applications including fire, security and process control.

May be powered from any certified Zener barrier or galvanic isolator whose output parameters do not exceed: Uo: 28VDC Io: 93mA Po: 660mW

Technical Dimensions



Specifications

GENERAL

Nominal output	100dB(A) @ 1m +/- 3dB - Tone 2*
No. of tones	49 (UKOOA/PFEER compliant)
No. of stages	3
Volume control	Max. 100dB(A); Min. 90dB(A) - Tone 2
Effective range	40m @ 1KHz
Voltage	16-28vdc via Zener barrier or galvanic isolator
Current	25mA typical when powered from 24v supply via 28v 300 Ohm Zener barrier
Ingress protection	IP65
Rating	Continuous
Housing material	UL94V0 & 5VA FR ABS, RAL3000 Red
Fixings	Stainless Steel
Cable entries	2 x M20 clearance gland knockouts Custom configurations also available.
Terminals	0.5 to 2.5mm ²
Operating temp	-40° to +60°C