

9021305004

## Handset complete for P-4005\_4016

Spare Part: Handset complete for P-4005\_4016

Spare Part

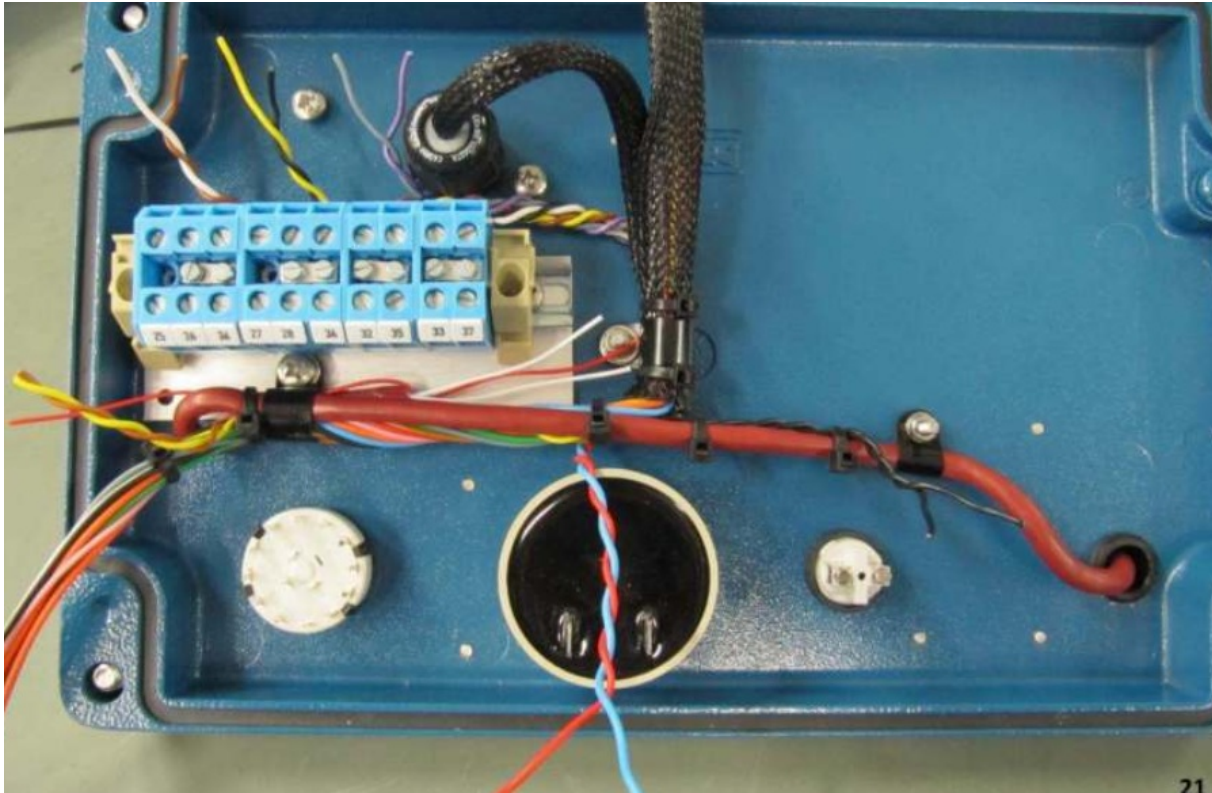


# Specifications

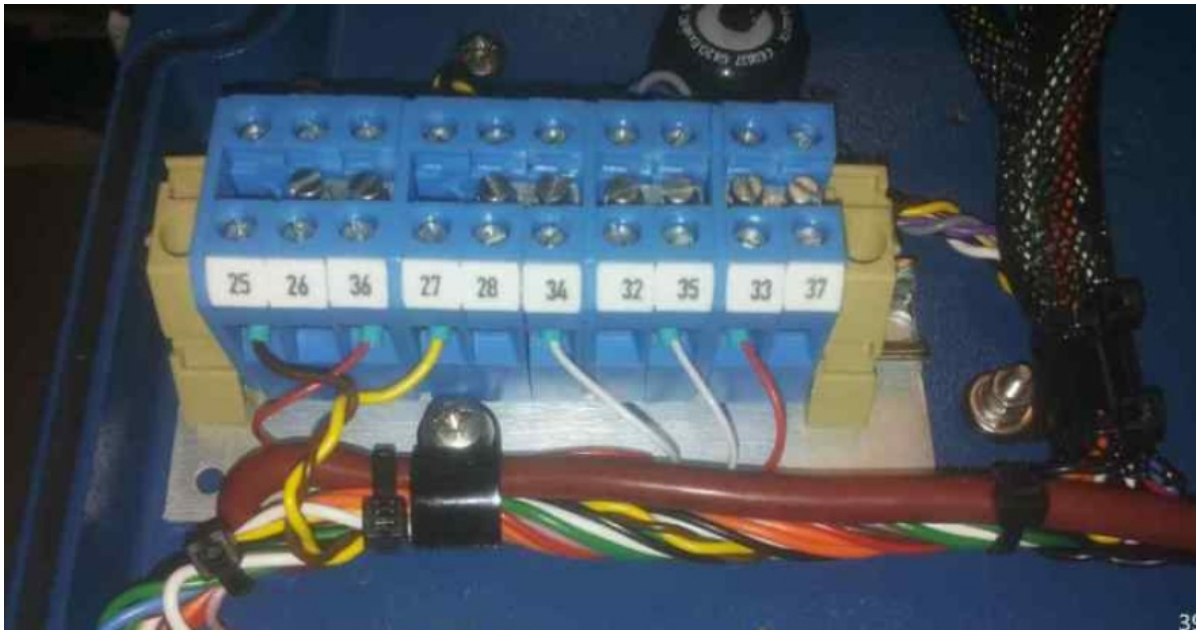
Replacement information:

Unfasten the handset cord in the cable gland in the box lid.

Disconnect and remove the existing handset:

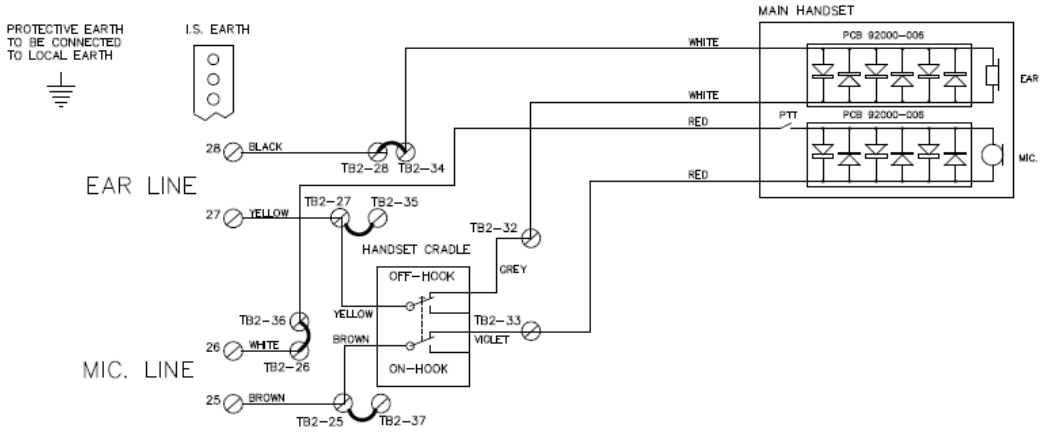


21

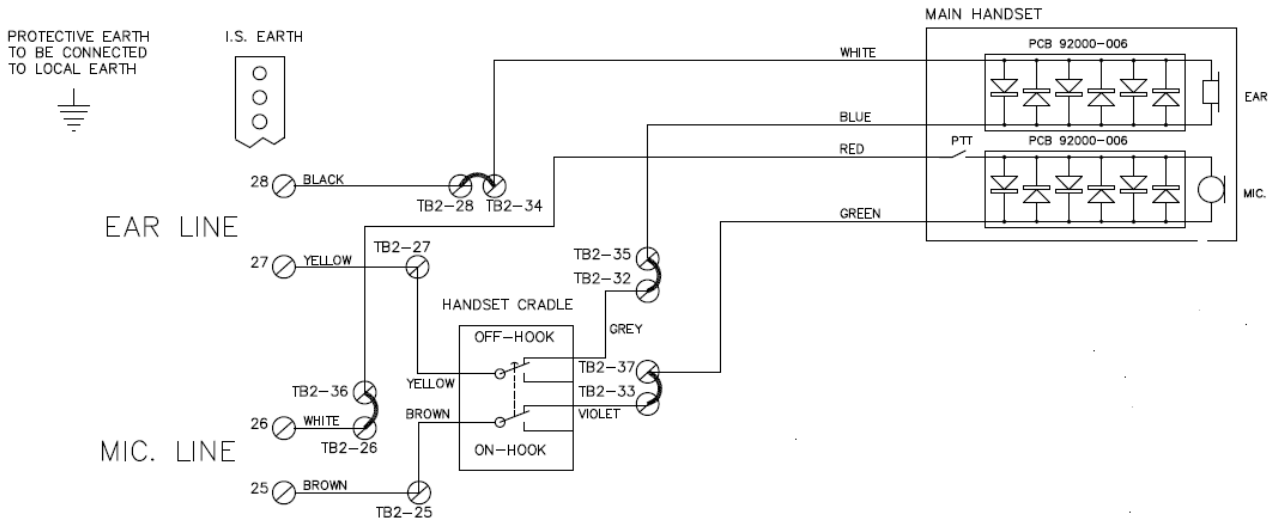


39

Remove wires on terminals TB2 (located in the lid, (photo above) - 34 (white), 32/35 (white), 33/37 (red) and 36 (red)



Insert the replacement handset through the same cable gland  
 Connect the new handset (NB: Different colour code - 34 (white), 32/35 (blue), 33/37 (green) and 36 (red))  
 Fasten the new handset cable  
 Thighten the cable gland



	Original	New	Terminals (J2)
Ear	White	White	34
	White	Blue	32/35
Mic	Red	Red	36
	Red	Green	33/37

## TECHNICAL DATA

Weight	0.3 kg
Material	Polyurethane
Colour	Black

## SAFETY PARAMETERS

Ui	10 VAC
Ii	200 mA
Pi	0.5 W
Ci	0.5 nF
Li	0 mH

Recommended Safety I.S. Barrier:	MTL 760ac / MTL 7760ac
-------------------------------------	------------------------