

4000014976

R400-230A

Rotating Light 230V AC, IP65, Amber

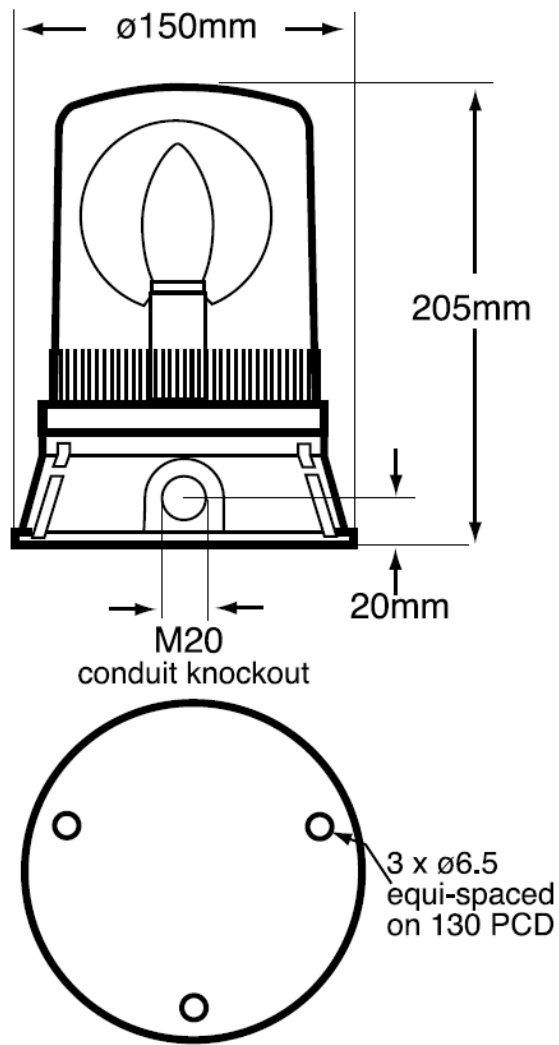


- ✓ Continuously rated
- ✓ Suitable for surface or wall mounting
- ✓ Twin belt drive system
- ✓ conduit knockout
- ✓ IP65

Description

The R401/400 Din Base Series uses a parabolic reflector which, driven by an electric motor, revolves around a continuously illuminated lamp on the vertical axis of the beacon creating a powerful beam of light travelling through 360 degrees. Generally, this type of beacon has a greater degree of light output than other models but this is off-set by the fact that the parabolic reflector only illuminates one given point at a time. The 401/400 Series incorporates both bottom and side entry cabling access and mounting is achieved via external three point fixing.

Technical Dimensions



Specifications

GENERAL

IP Rating	IP65
Maximum Temperature	+55 °C
Minimum Temperature	-10 °C
AC Voltage Frequency	50 Hz
Light Source	Incandescent/Tungsten Bulb
Material	ABS, UV Stable PC
Beacon Output	Rotating
Power Rating	Medium Proximity Signalling
Terminals	up to 2.5mm ² cable

ORDER NUMBER	DESCRIPTION
4000016081	R400-115A, R400 Rotating Light 115VAC, IP65 Amber
4000014976	R400-230A, R400 Rotating Light 230VAC, IP65, Amber
4000018673	R400-230C, R400 Rotating Light 230VAC, IP65, Clear
4000017317	R400-230R, R400 Rotating Light 230VAC, IP65, Red
4000016451	R400-230B, R400 Rotating Light 230VAC, IP65, Blue
4000016453	R401-24B, R401 Rotating Light 24VDC, IP65, Blue
4000014977	R401-24A, R401 Rotating Light 24VDC, IP65, Amber
4000017316	R401-24G, R401 Rotating Light 24VDC, IP65, Green

ACCESSORIES

4000014978	R300VB Wall Bracket For R400 / R401 Rotating lights
9021904000	Spare lens for Beacons R400/R401, Amber