

2340210022

TNFCD2G212

Ex proof beacon, Ex de 24-48VDC GREEN, 1 x M25 gland



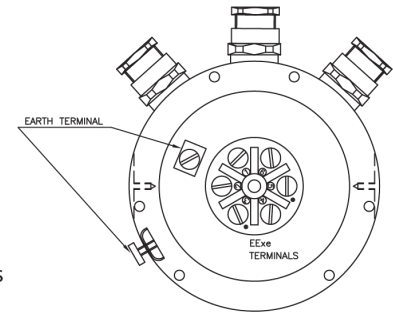
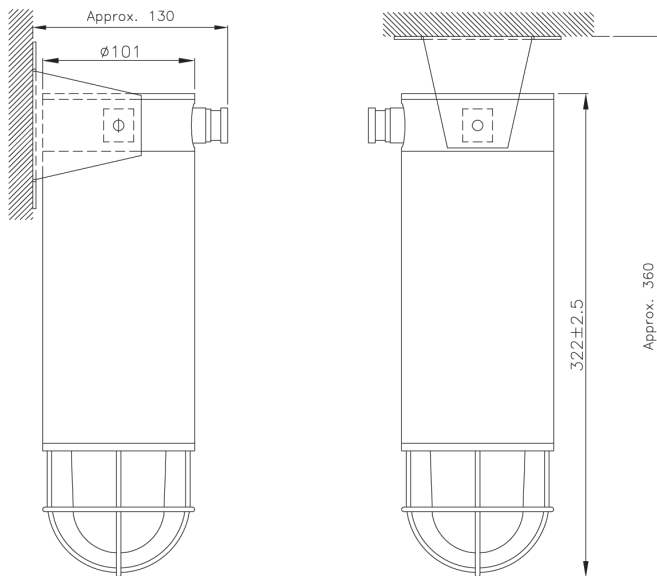
Description

These 24-48VDC flashing lights are ideal for Petrochemical and Marine applications, and for all kind of industry where an explosive atmosphere may be present and the need for warning is required.

This flashing beacon is an efficient solution for use in Ex-zones offshore as well as onshore, and has been supplied to installations in the demanding environments of the North Sea for more than 25 years. TNFCD flashing lights are available as Ex de, Ex d or non-Ex. Beacon operates when power is applied. TNFCD can optionally use external triggering, and can be supplied with a siren card for acoustic warning.

- ✓ Enclosure material in stainless steel 316L
- ✓ Long lifetime of flashing tube: 8 x 106 flashes
- ✓ High mechanical strength and corrosion resistance - suitable for harsh environments
- ✓ Universal mounting bracket in SS316L enables easy installation, standing or hanging
- ✓ Several triggering possibilities
- ✓ High ingress protection class, IP66 - Relative humidity up to 100%
- ✓ Temperature range -40°C to +60°C
- ✓ High operational reliability and low lifecycle cost

Technical Dimensions



Terminals

- 1 and 2: Supply input.
[1 = Live or +, 2 = Neutral or -]
- 3 and 4: External triggering input.
[3 = +, 4 = -] (telephone and failsafe are options)
- 5 and 6: Spare.
Siren speaker output (option)
Supply linking (option)

Specifications

GENERAL

Material	Stainless steel 316L
Surface treatment	Shot blasted / Machined
Weight	5.1 kg
Flash energy	10 joule
Flash frequency	1 Hz
Protection class	IP66
Rated Voltage	24-48 VDC
Voltage Range	+/- 10%
Rated current	330-670 mA
Power consumption	16 VA
Typical inrush current	>1A less than 1ms
Triggering	Direct (power), telephone, 24-48VDC, Fail safe
Fuse	1-2 A slow fuse recommended

ITEM NUMBER	DESCRIPTION
2340210022	TNFCD2G212, Ex proof beacon, Ex de 24-48VDC GREEN, 1 x M25 gland
2340210011	TNFCD2R212, Ex proof beacon, Ex de 24-48VDC RED, 1 x M25 gland
2340210010	TNFCD2Y212, Ex proof beacon, Ex de 24-48VDC YELLOW, 1 x M25 gland
2340210038	TNFCD2Y211, Ex proof beacon, Ex de, 24- 48VDC, Yellow, SST, 1xM20, dir.tr

ACCESSORIES

2340210020	Preservation and protective hood for TNFCD beacons
------------	--
