

4000011297

GHG-411 EX

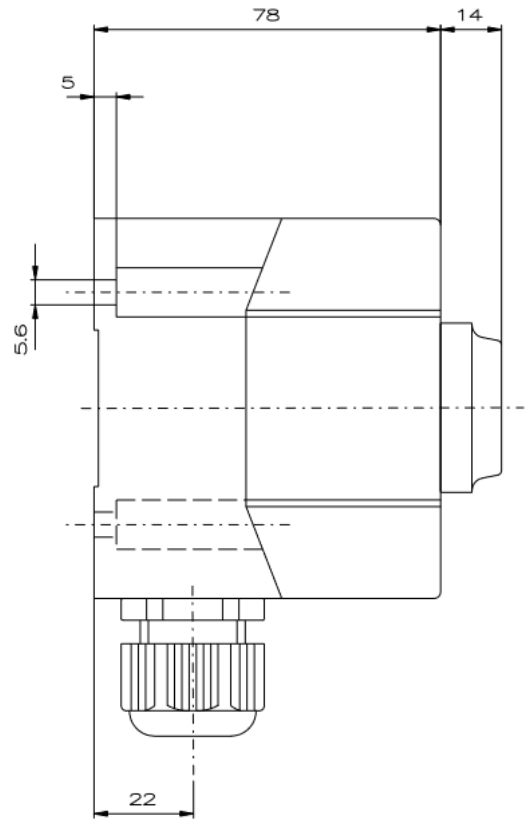
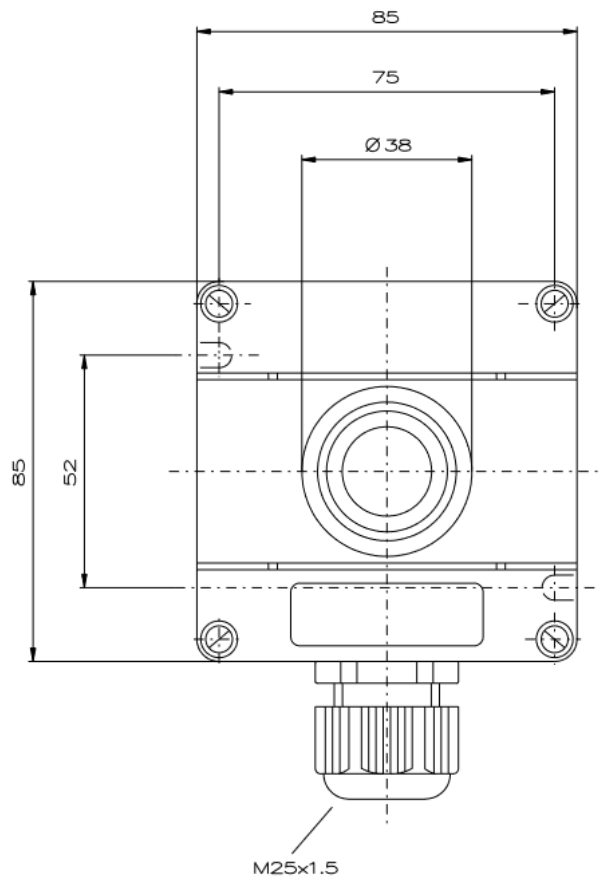
Callbox EX GHG 411



Description

- ✓ Explosion-proof calling box for hazardous areas
- ✓ Delivered for bulkhead mounting
- ✓ Call-button for calling Master unit
- ✓ To be used together with Ex horn speakers

Technical Dimensions



Specifications

GENERAL

Connections	Screw terminals
Colour	Black
Material	Moulded polyamid reinforced by glass fibres
PTB approval	EEx de IIC T6
IP rating	IP-66
Dimensions (WxHxD)	85 x 85 (+ cable gland) x 92 mm