

3005020040

P-66/10

Handheld Microphone with 10-Meter Cable Waterproof

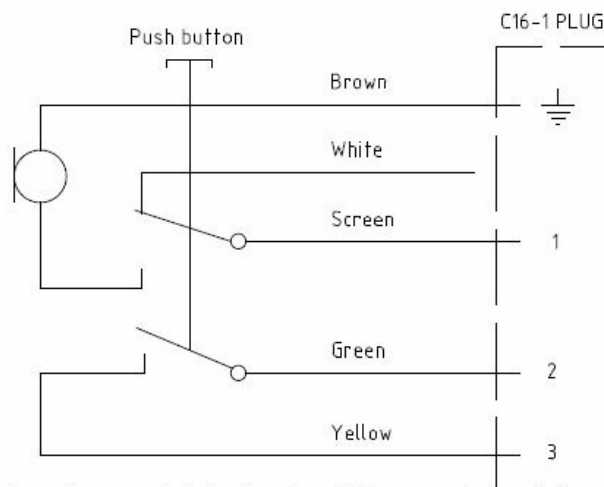
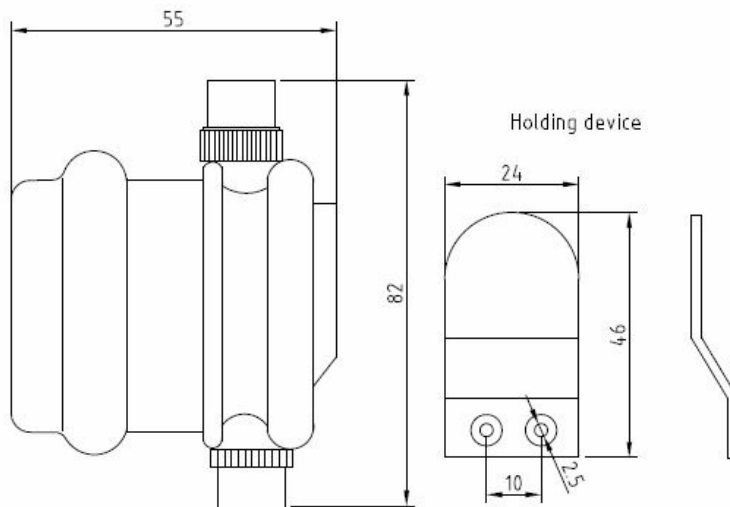
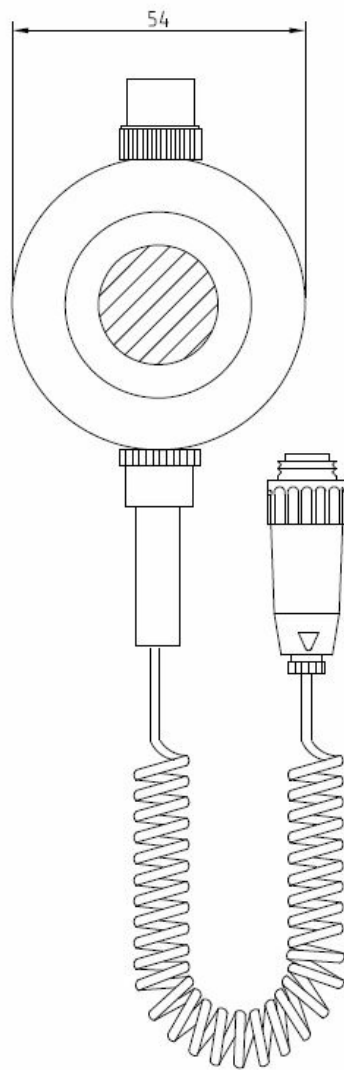


Description

- ✓ Weatherproof, salt water resistant handheld microphone
- ✓ Suitable for heavy-duty outdoor operation subject to noise disturbance
- ✓ Delivered with 10 meter flexible cable and plug
- ✓ For use in Public Address and Talk-Back Systems

Technical Dimensions

□



Note ! White is not connected in plug, for VMP use only.

Technical data:

- Sensitivity.....Approx.0.5mV/dyne/sq.cm at 1 kHz
 - DC Resistance.....200ohm
 - Power handling capacity.....0.2W (0.5W peak)
 - Loudspeaker sensivity.....57dB/mV at 1 kHz and 50cm distance
.....i.e. 80dB at 0.2W audio-frequency power
 - Cable P-66.....Spiral ,extendable to approx 1,5mtr.
 - Cable P-66/10.....10Mtr.
 - Plug.....4 Pin C16-1 IP67 T3108001
- All dimension in mm

Specifications

GENERAL

DC resistance	200 ohm
Mic. sensitivity	0.5 mV/dyne/sq.cm at 1 kHz
Power capacity	0.2 W (0.5 W peak)
LS sensitivity	57 dB/mW at 1 kHz and 50 cm distance i.e. 80 dB at 0.2 W audio-frequency power
Protection	IP-47
Color	Black
Weight	0.5 kg
Environmental Condition	Exposed

Used With



SB-4

Plugbox for handheld microphone